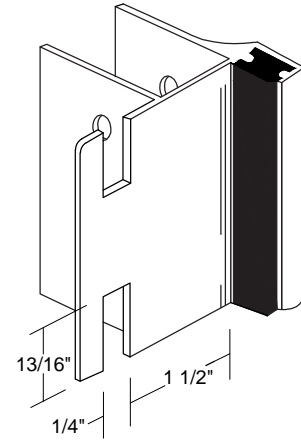
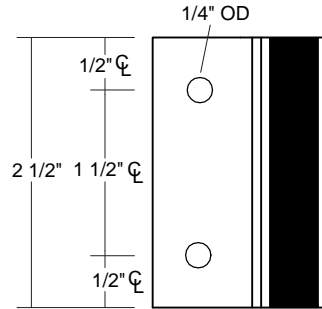
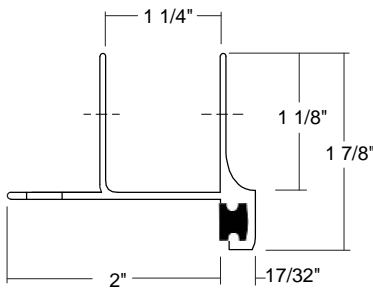
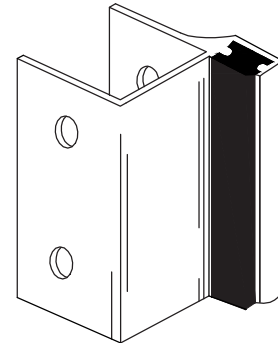
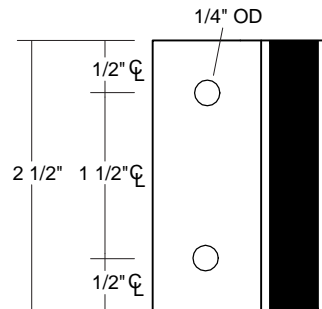
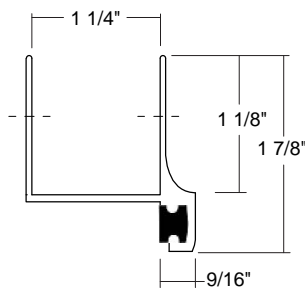


Stainless Steel Strike & Keepers
 Inswing & Outswing
 Stainless Steel Partitions

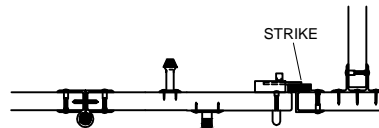
Inswing



Outswing



Sample Elevation



- **Material:** 1/8" Thick, Cast Stainless Steel; Black Rubber.
- **Application:** Allows door to be secured with slide latch.
- **Fasteners required per component:** (2) male/female thru-bolt pairs.