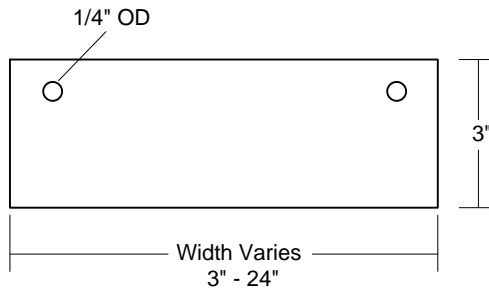
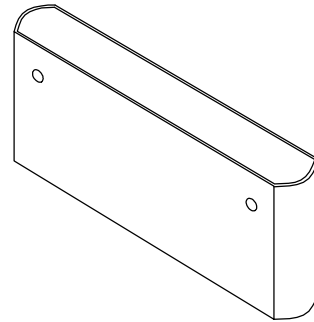
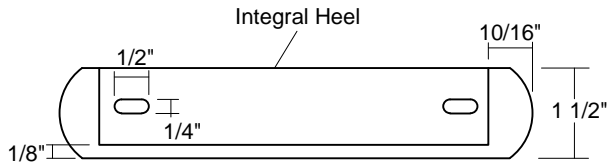
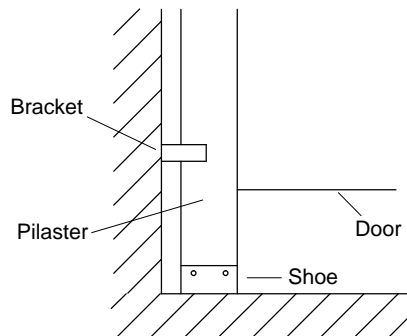


**Stainless Steel Shoe**  
 Stainless Steel Partitions



Sample Elevation



- **Material:** 22 ga. Stainless Steel, #4 Satin Finish.
- **Application:** Secure pilaster to finished floor.
- **Fasteners required per component:** (2) 1 1/2" Torx screws; (2) male/female thru-bolt pair.