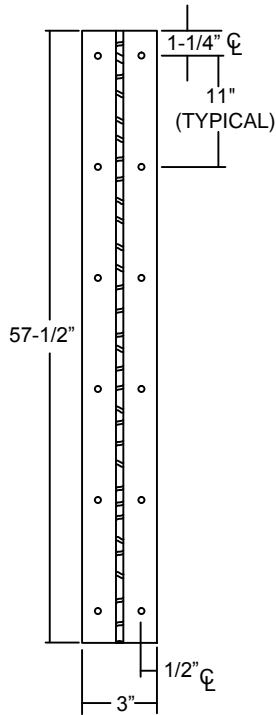


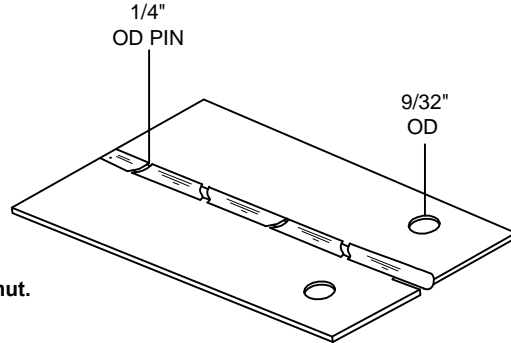
# Continuous Stainless Steel Helix Hinge

## Stainless Steel Partitions

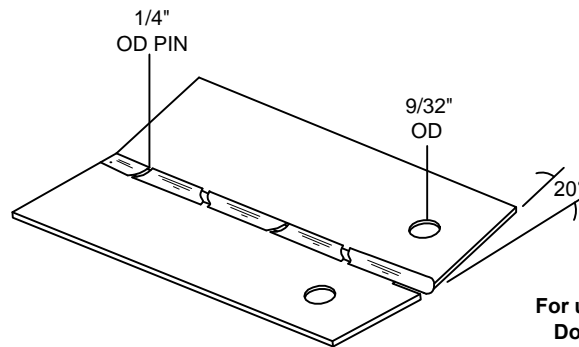


### Zero Degree Closed Cam

For use on handicap doors.  
Door will swing completely shut.



Cross Section  
Actual Length 57-1/2"

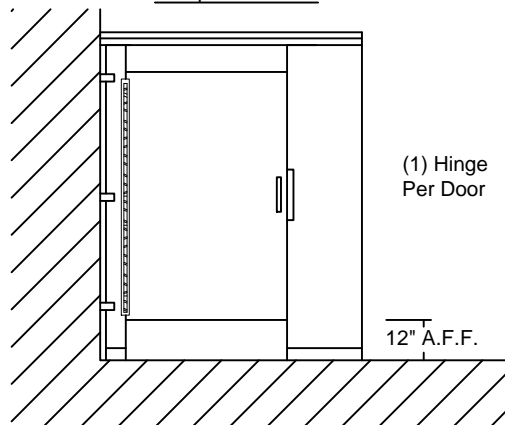


### 20° Closed Cam

For use on non-handicap doors.  
Door will remain ajar 20°.

Cross Section  
Actual Length 57-1/2"

### Sample Elevation



**Note: Zero Degree & 20 Degree hinges are two separate items. They are not field adjustable.**

- **Material:** 14 ga. Stainless Steel, #4 Satin Finish.
- **Application:** Door-to-pilaster connections.
- **Fasteners required per component:** (10) male/female thru-bolt pairs.