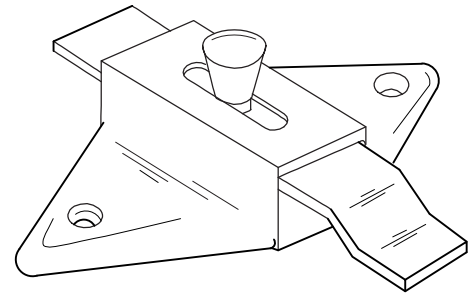
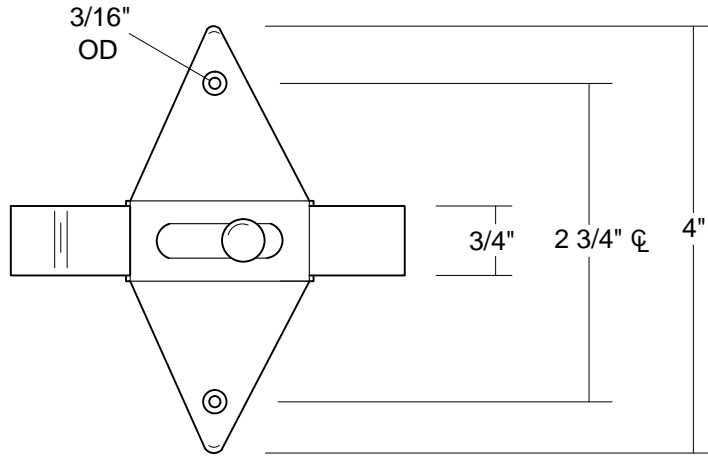
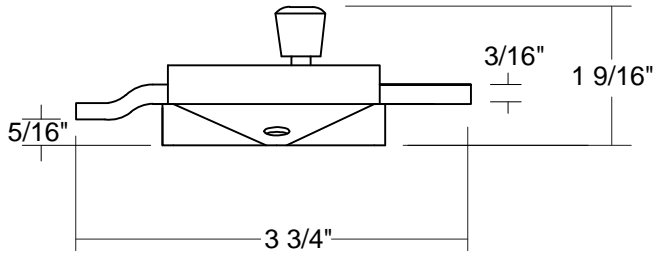
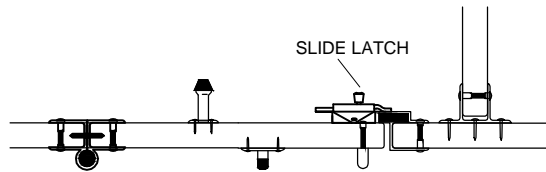


Stainless Steel Slide Latch



Offset Latch
 allows for emergency access
 (15/16" Slide Distance)

Sample Elevation



- **Material:** Cast Stainless Steel
- **Application:** Secure each compartment when occupied.
- **Fasteners required per component:** (2) male/female thru-bolt (for surface mounting with no door pull).