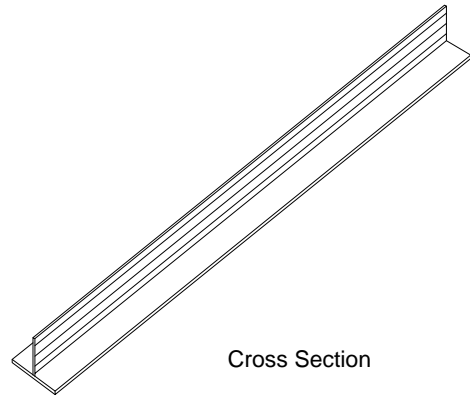
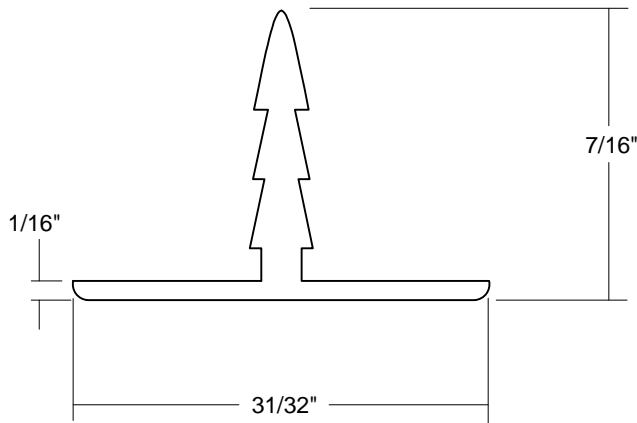


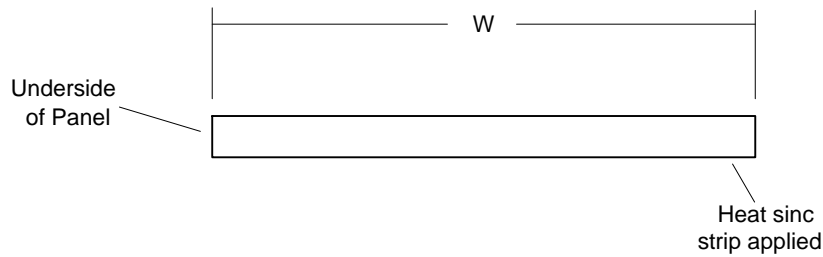
# Heat Sinc



Cross Section

Heat sinc lengths shall be factory applied to the underside of all doors and panels (if heat sinc is specified).

Sample Elevation



- **Material:** Clear Anodized Aluminum.
- **Application:** If specified, applied to underside of all doors and panels to prevent burning in case of fire.
- **Fasteners required per component:** N/A.