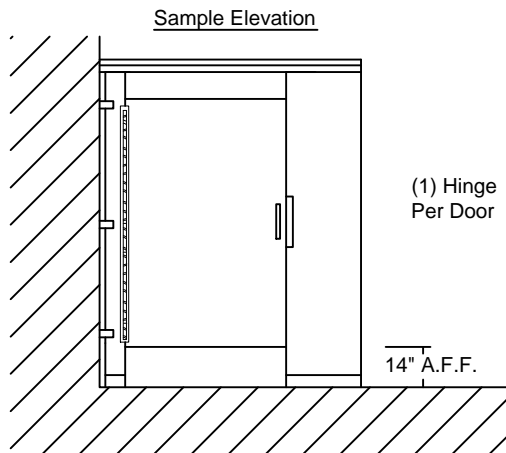
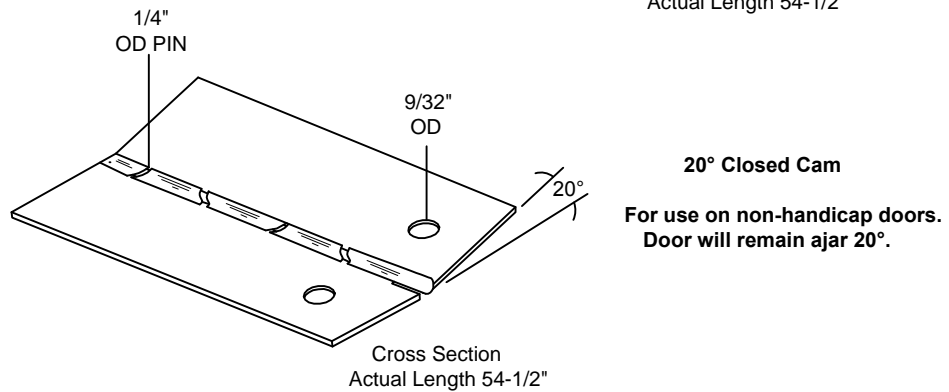
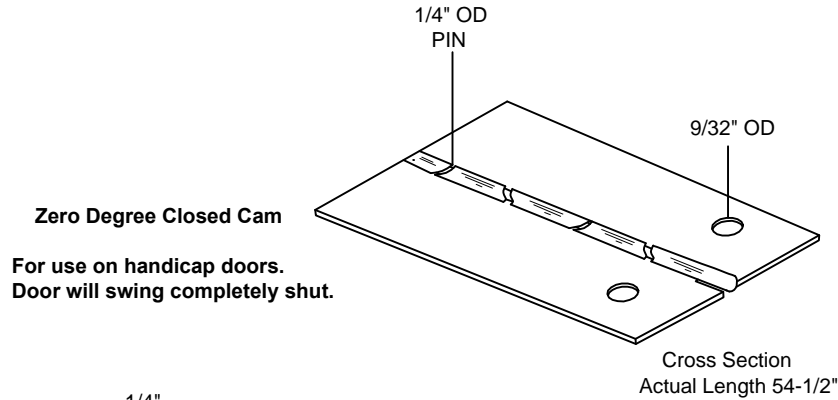
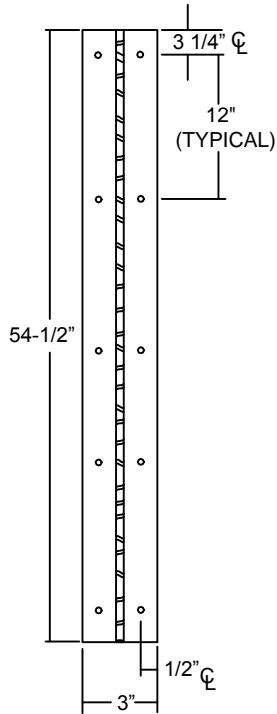


Continuous Stainless Steel Helix Hinge



Note: Zero Degree & 20 Degree hinges are two separate items. They are not field adjustable.

- **Material:** 14 ga. Stainless Steel, #4 Satin Finish.
- **Application:** Door-to-pilaster connections.
- **Fasteners required per component:** (10) male/female thru-bolt pairs.