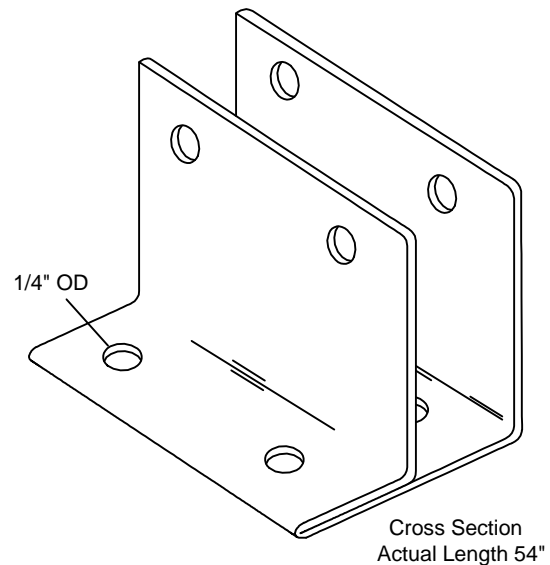
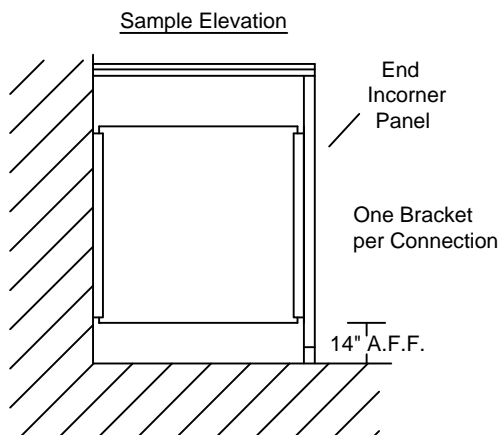
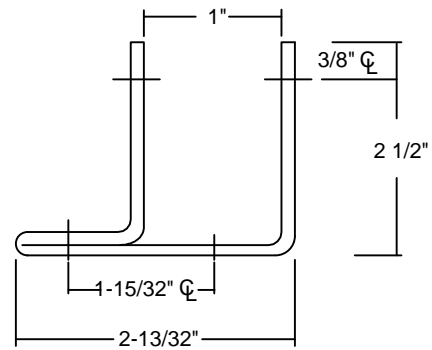
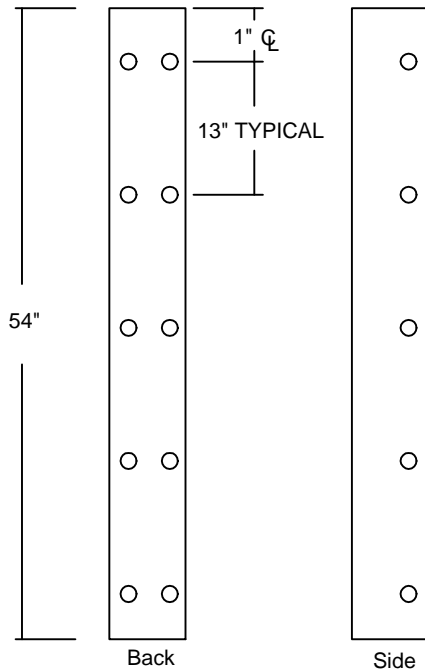
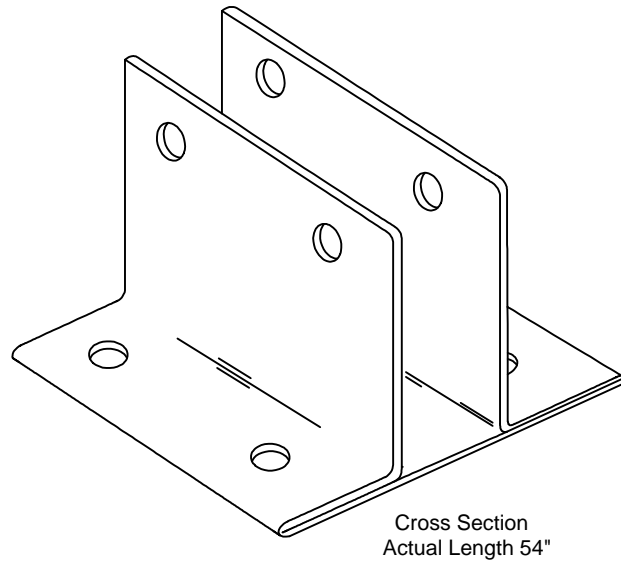
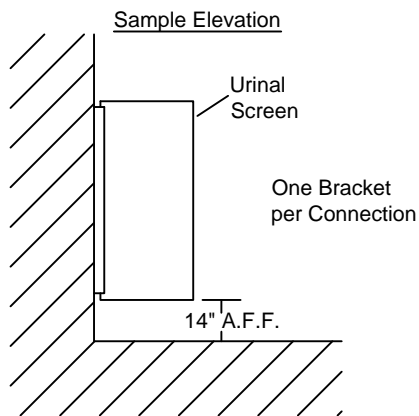
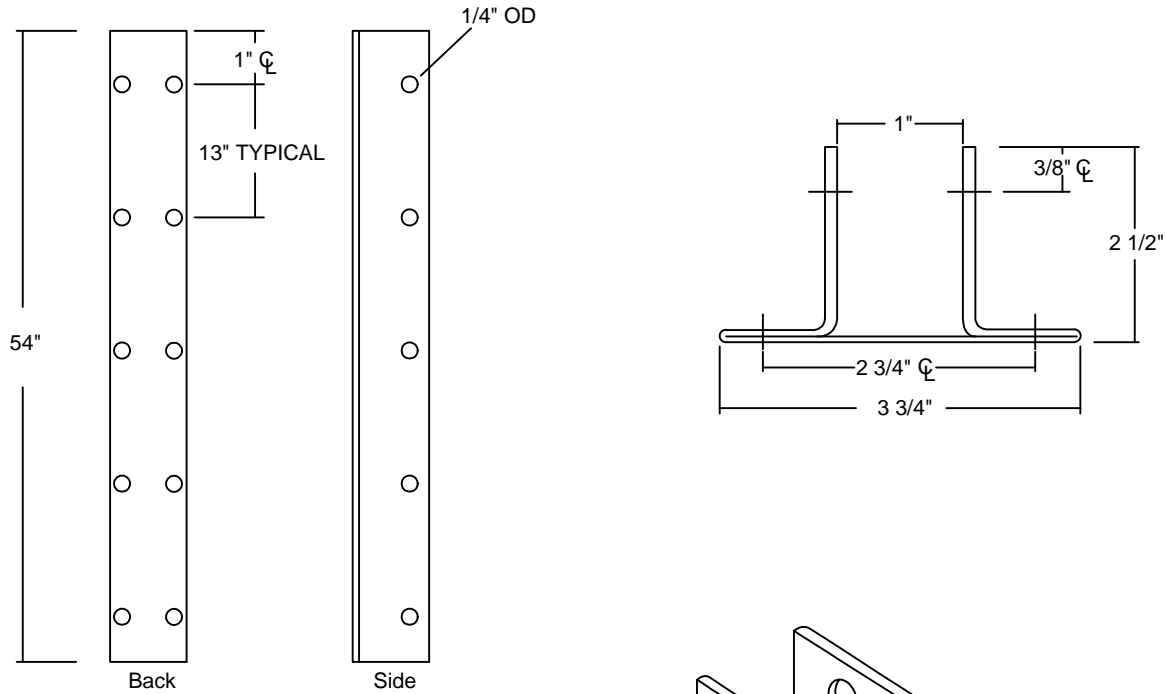


Single Ear Continuous Stainless Steel Bracket



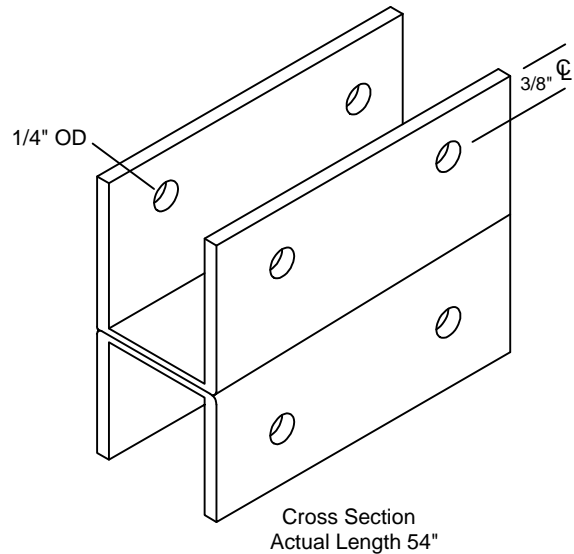
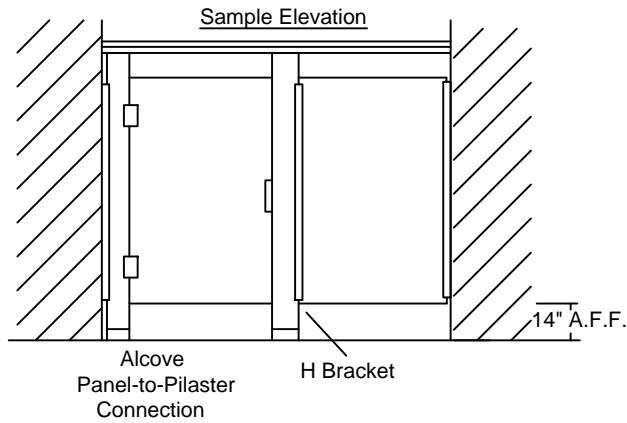
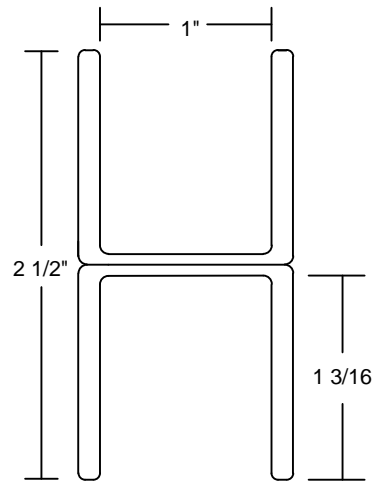
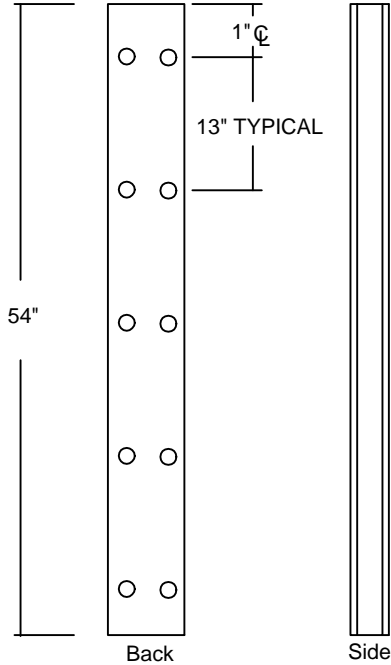
- **Material:** 18 ga. Stainless Steel, #4 Satin Finish.
- **Application:** Wall-to-panel connections; panel-to-pilaster connections
- **Fasteners required per component:** (10) 1 1/2" Torx screws **or** (10) 3/4" Torx screws; (5) male/female thru-bolt pairs.

Double Ear Continuous Stainless Steel Bracket



- **Material:** 18 ga. Stainless Steel, #4 Satin Finish.
- **Application:** Wall-to-panel connections; panel-to-pilaster connections.
- **Fasteners required per component:** (10) 1 1/2" Torx screws **or** (10) 3/4" Torx screws; (5) male/female thru-bolt pairs.

Continuous Stainless Steel H Bracket



- **Material:** 18 ga. Stainless Steel, #4 Satin Finish.
- **Application:** Panel-to-pilaster connections
- **Fasteners required per component:** (10) male/female thru-bolt pairs.