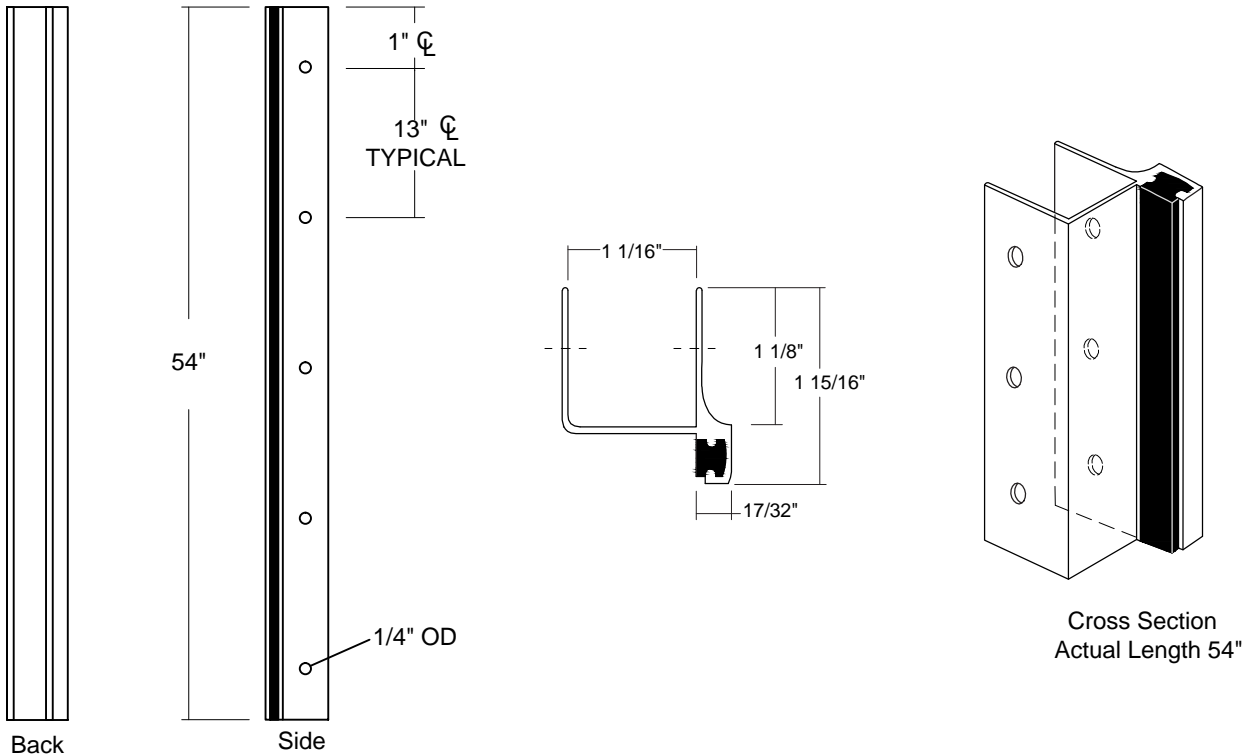
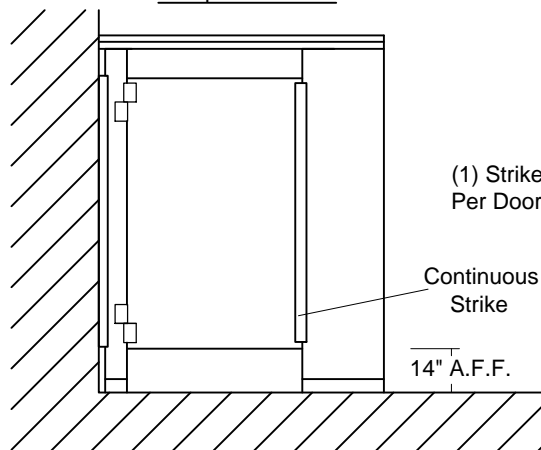


# Continuous Aluminum Strike & Keeper Outswing

## Outswing



## Sample Elevation



- **Material:** 1/8" Thick, Clear Anodized Aluminum; Black Rubber.
- **Application:** Allows door to be secured with slide latch (no sight option).
- **Fasteners required per component:** (5) male/female thru-bolt pairs.