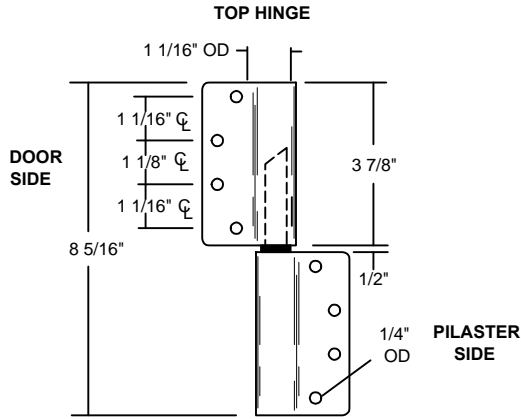
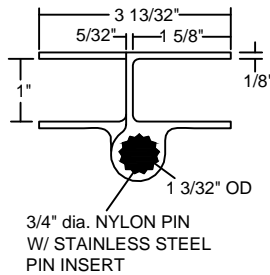
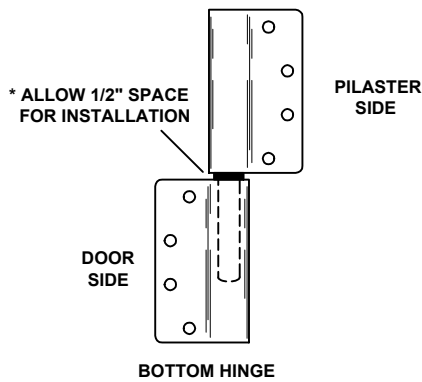
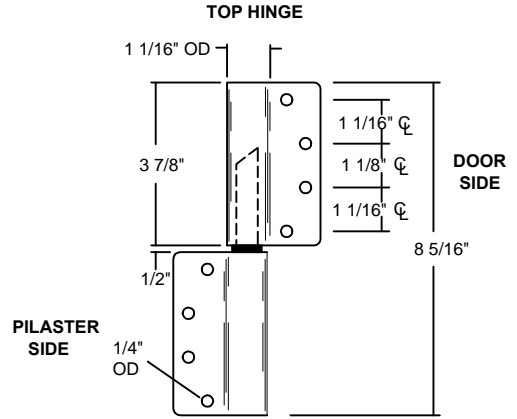


## 8" Aluminum Wrap Around Hinge

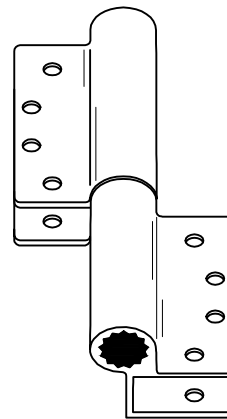
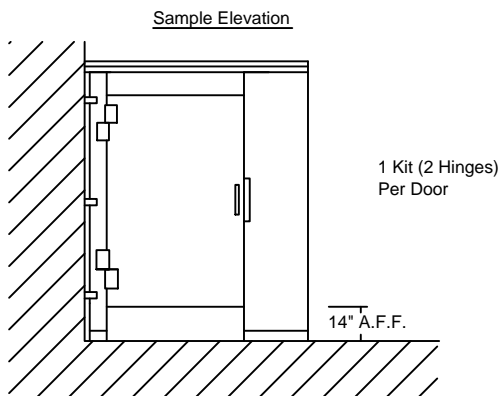
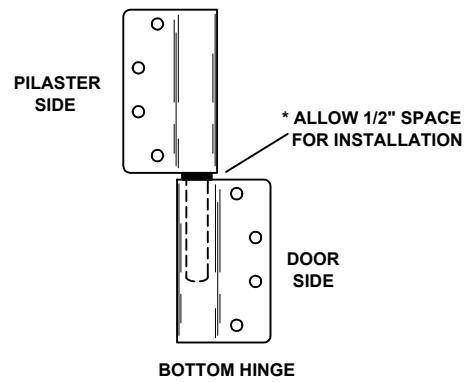
LEFT HAND IN/RIGHT HAND OUT (LHI/RHO)



RIGHT HAND IN/LEFT HAND OUT (RHI/LHO)



Note: Top & Bottom Hinge Dimensions are the Same



- **Material:** 1/8" Thick, Clear Anodized Aluminum. Black Nylon insert with Stainless Steel pin.
- **Application:** Door-to-pilaster connections.
- **Fasteners required per component:** (2) #8 x 1" Phillips Flat Screws; (8) male/female thru-bolt pairs.