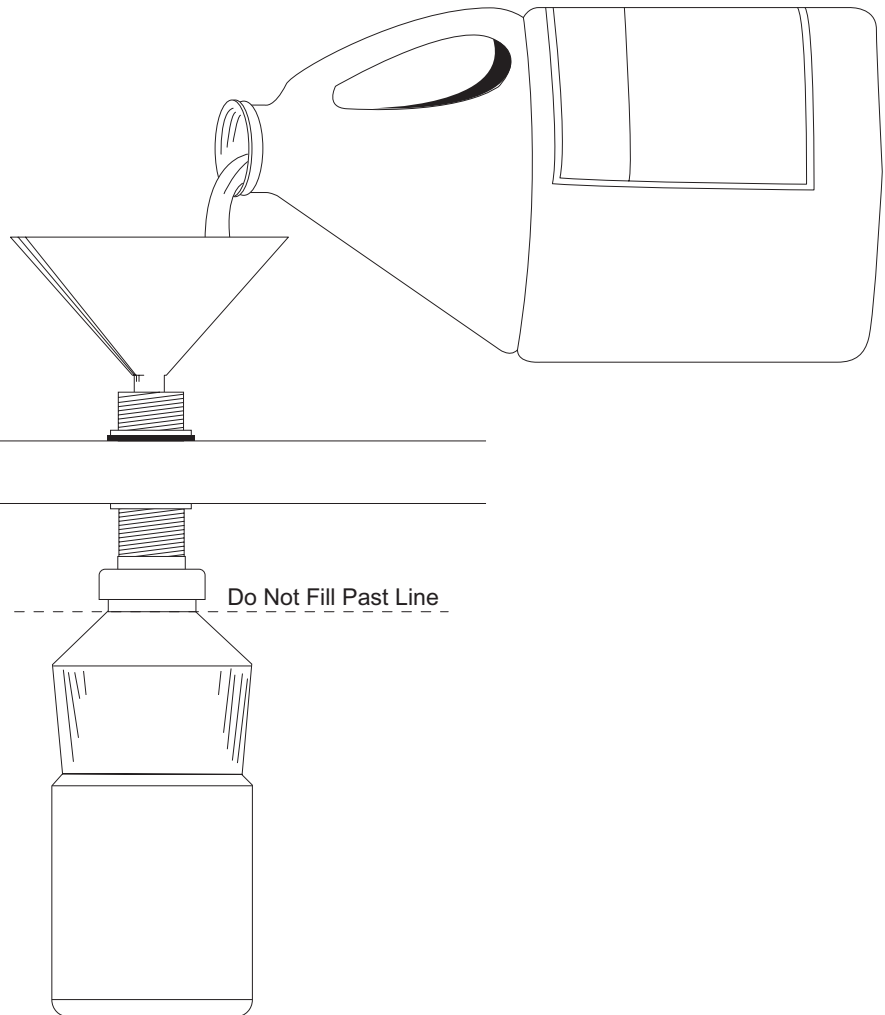
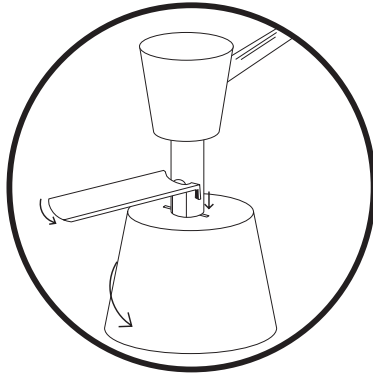


Vanity Mounted Soap Dispensers

Refill Instructions



INSTRUCTIONS

1. Remove spout assembly as shown using provided tool.
2. **Do Not** service dispenser by removing globe. Service dispenser from above counter as shown
3. **Do Not** overfill.

NOTES

For best performance, use pre-mixed low concentrate solutions. Dispensers should have periodic maintenance performed to insure the life dispenser. Rinse out globe and valve with warm water to avoid sludge buildup.

Preventative Maintenance: Each dispenser should be flushed out aprx, Every 30 days with warm water to prevent valve from; clogging with old soap, Abrasive cleaners should not be used when wiping down dispenser.