



US805

Security Keyed Toilet Tissue Dispenser

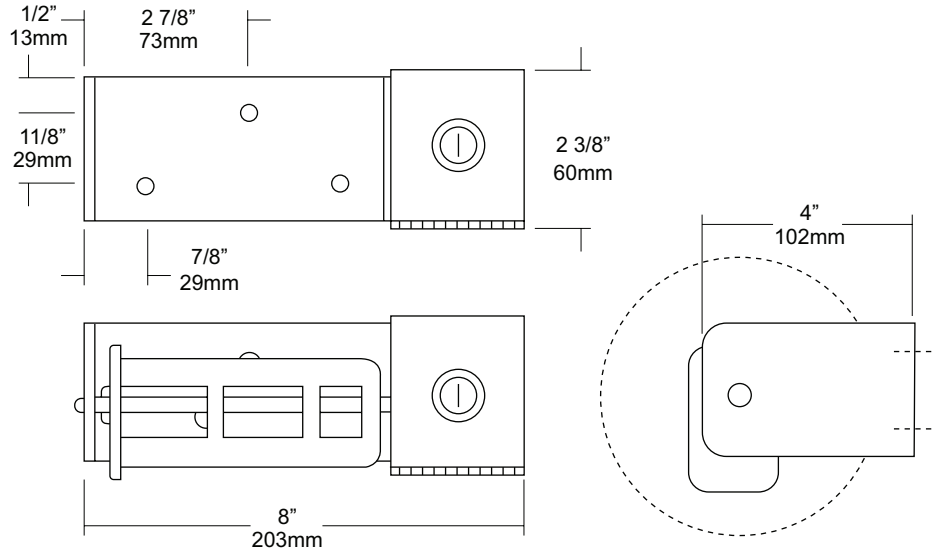
Revision 03/11

JOB #:

ITEM #:

QUANTITY:

MOUNTING	HANDING	TYPE	SIZE	OTHER



SPECIFICATIONS

Mounting Bracket: Fabricated of #11 gauge stainless steel with a #4 satin finish.

Spindles: Molded high impact ABS material (theft resistant) with stainless steel pin, designed to retain spindles on bracket. Control delivery spindle rotates only 1/2, revolution. Non-control (-NC) spins freely.

Lock: Pin tumbler lock secured on a hinged panel that secures spindles too post. Spindles cannot be removed without unlocking center post.

Overall Size: 8"W x 2 3/8"H x 4"D
203mm x 60mm x 102mm

US805-NC: Non-Control dispenser

Capacity: One standard roll with a 5 1/4" (133mm) OD.

INSTALLATION

Provide an area on wall surface at desired or specified location, Place unit on mounting surface making sure unit is level and transfer mount points. Drill pilot holes and secure with proper fasteners per application. If a controlled delivery dispenser is installed, remove spring loaded pin to obtain a non-controlled delivery.

All dispensers must have a non-control delivery, be mounted at the proper height and location to meet ADA code. (4.16)

NOTES