

US17 Security Hook

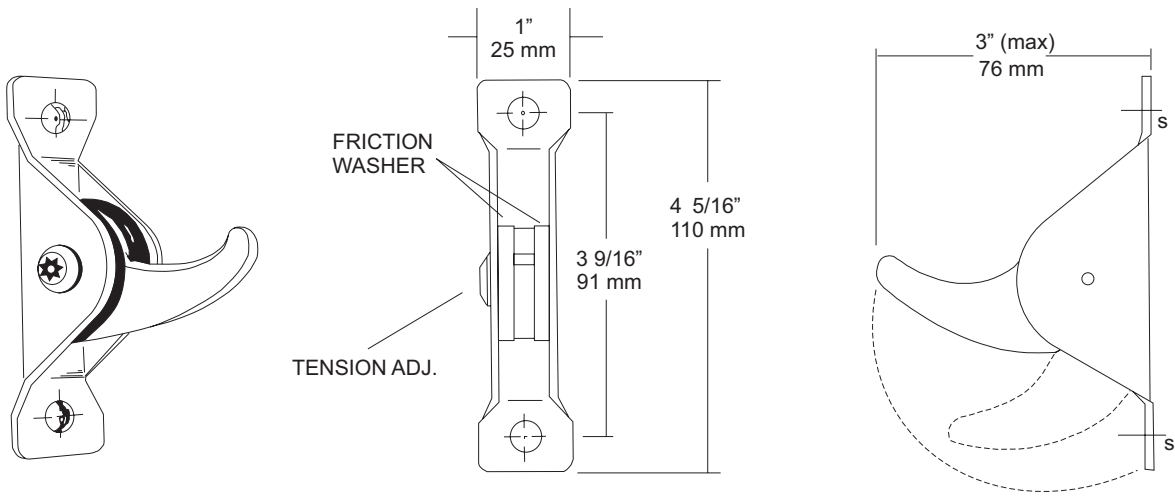
Revision 03/11

JOB #:

ITEM #:

QUANTITY:

MOUNTING	HANDING	TYPE	SIZE	OTHER



SPECIFICATIONS

Hook Bracket: Fabricated of #11 gauge stainless steel with two exposed mounting point locations. Hook is fabricated of #7 gauge stainless steel and is secured to bracket by means of a tamper resistant stainless steel spanner screw and rubber friction washers. Tension adjustment is made by the use of a spanner tool. (Not supplied)

Overall Size: 1"W x 4 5/16"H x 3"D
25mm x 109mm x 76mm

INSTALLATION

Place unit on mounting surface at desired or specified location. Transfer mounting points and drill pilot holes. Secure with proper fasteners per each application. (Security fasteners not supplied)

NOTES