



UP830
Jumbo Roll Toilet Tissue Dispenser

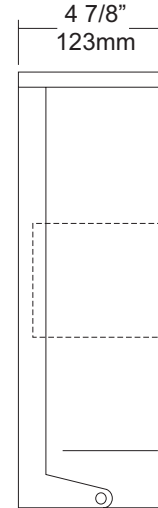
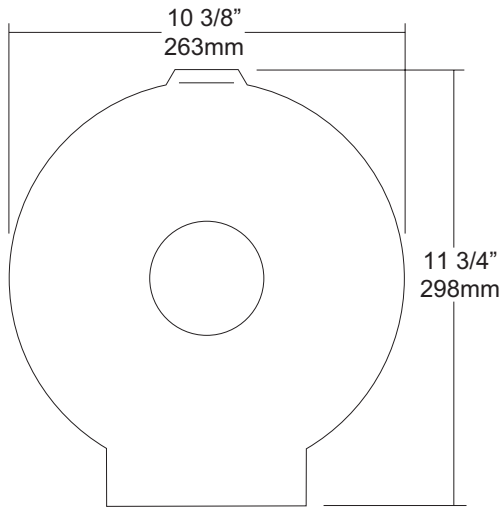
Revision 03/11

JOB #:

ITEM #:

QUANTITY:

MOUNTING	HANDING	TYPE	SIZE	OTHER



SPECIFICATIONS

Body: Fabricated of high impact ABS material.
Cover: Fabricated of translucent, high impact ABS material that allows a constant visual paper level check. The cover is secured with special key for security.
Spindle: Fixed spindle that is an integral part of the cabinet body. Spindle will hold rolls with a 3" diameter core.
Overall Size: 10 3/8"W x 11 3/4"H x 4 7/8"D
264mm x 298mm x 111mm
Capacity: One 9" OD (229mm) jumbo tissue roll

INSTALLATION

Provide an area on wall surface at desired or specified location. Hold unit up to wall making sure unit is level and transfer mounting points. Drill pilot holes and secure with proper fasteners per application. Load toilet tissue and secure cabinet cover.
 All toilet tissue dispensers should not have any type controlled delivery to meet ADA code. (4.16) Code requires area that dispenses paper be minimum 19" above finished floor.

NOTES