



UJ45 Series

Mop Holder & Hook Strip Combination Unit

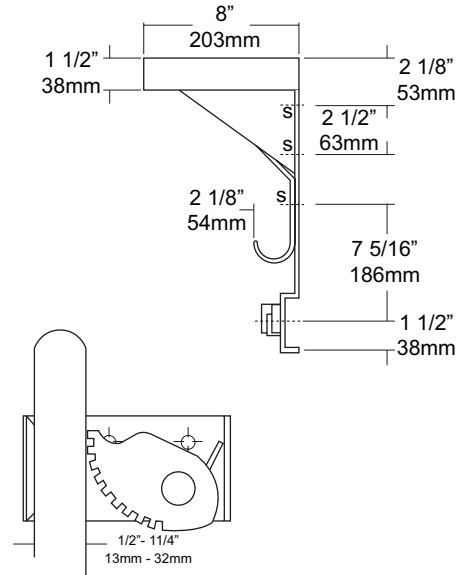
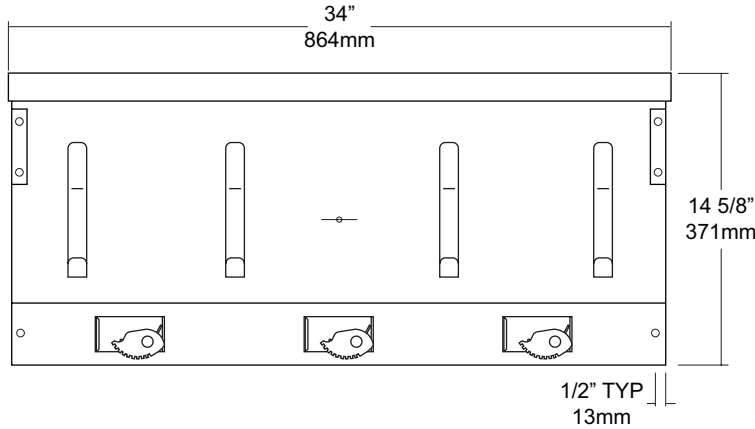
Revision 03/11

JOB #:

ITEM #:

QUANTITY:

MOUNTING	HANDING	TYPE	SIZE	OTHER



SPECIFICATIONS

- Shelf:** Fabricated of #18 ga stainless steel with a #4 satin finish, 8" deep (203mm) bent down 1 1/2" with 1/2" returns back for rigidity and safety.
- Back:** Fabricated of #18 ga stainless steel, #4 satin finish. Lower portion has a formed channel for added rigidity to support the mop holders.
- Mop Holders:** UJ19 plated reinforced steel with serrated cam type hard rubber mop or broom holder. Holds handles 1/2" to 1 1/4" diameter.
- Hooks:** #14 ga stainless steel with a #4 satin finish.
- Mounting Brackets:** #16 ga stainless steel with exposed mounting points.
- Verify Style:**
- UJ45A:** 34"L (864mm) with 3 holders, 4 hooks.
- UJ45B:** 44"L (1118mm) with 4 holders, 5 hooks.
- UJ45C:** 54"L (1372mm) with 5 holders, 6 hooks.

INSTALLATION

Place unit to wall surface making sure unit is level and transfer mounting points. Drill pilot holes and secure unit with proper fasteners per application.

NOTES