



UJ21
Clothes Hook

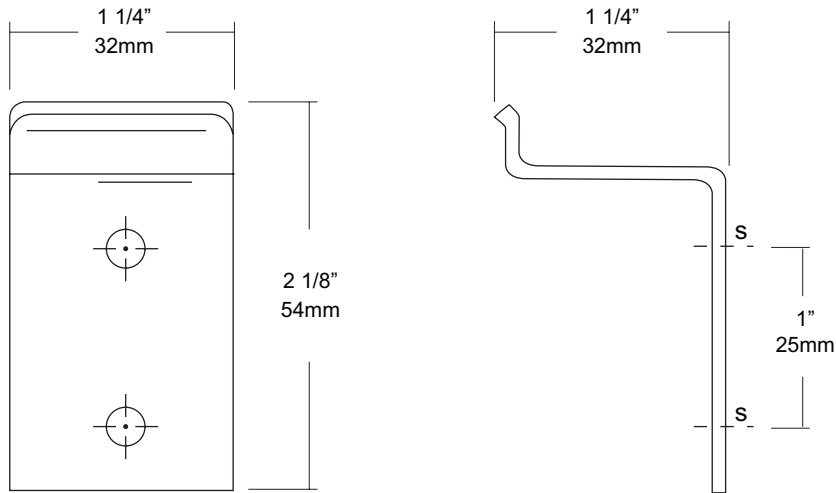
Revision 03/11

JOB #:

ITEM #:

QUANTITY:

MOUNTING	HANDING	TYPE	SIZE	OTHER



SPECIFICATIONS	INSTALLATION
----------------	--------------

Clothes Hook: One piece construction fabricated of #11 gauge stainless steel with a #4 satin finish. Hook is fabricated with radiused edges for safety.

Overall Size: 1 1/4"W x 2 1/8"H x 1 1/4"D
31mm x 53mm x 31mm

Place unit to wall surface making sure unit is level and transfer mounting points. Drill pilot holes and secure unit with proper fasteners per application.

NOTES