



UJ14 Series Hook Strip

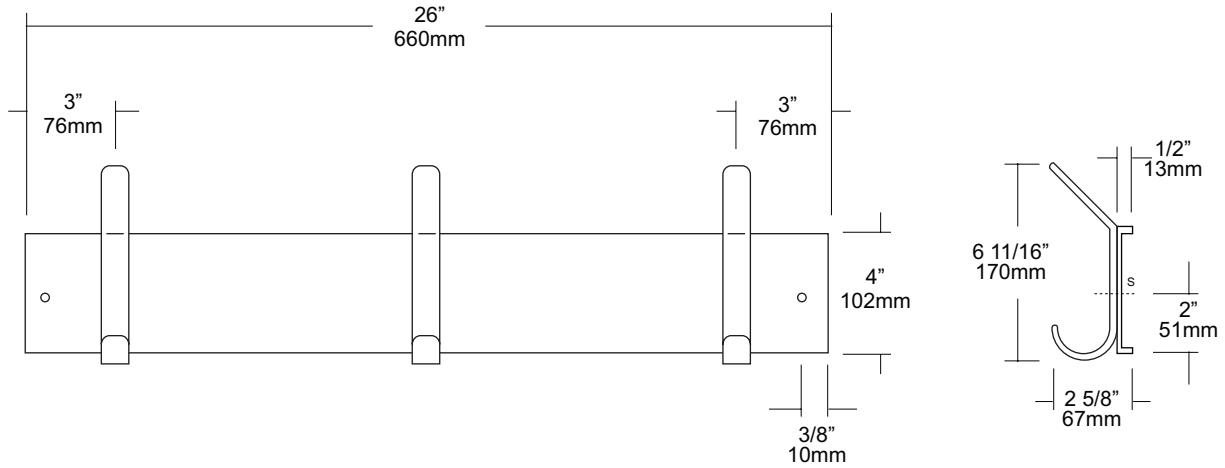
Revision 03/11

JOB #:

ITEM #:

QUANTITY:

MOUNTING	HANDING	TYPE	SIZE	OTHER



SPECIFICATIONS

Hook Strip: Fabricated of #20 ga stainless steel with a #4 satin finish. Ends of strip are returned 1/2" to wall surface.

Hooks: Fabricated of #14 gauge stainless steel finished to match strip. Leading edges of hooks are radiused to prevent injury and extends 2 5/8" from strip surface.

Verify Style:

- UJ14A:** 26"L (660mm) with 3 hooks.
- UJ14B:** 36"L (914mm) with 4 hooks.
- UJ14C:** 46"L (1168mm) with 5 hooks.
- UJ14D:** 56"L (1422mm) with 6 hooks.

INSTALLATION

Place unit to wall surface making sure unit is level and transfer mounting points. Drill pilot holes and secure unit with proper fasteners per application.

NOTES