



# UG120-W

Grab Bars With Toilet Tissue Holder

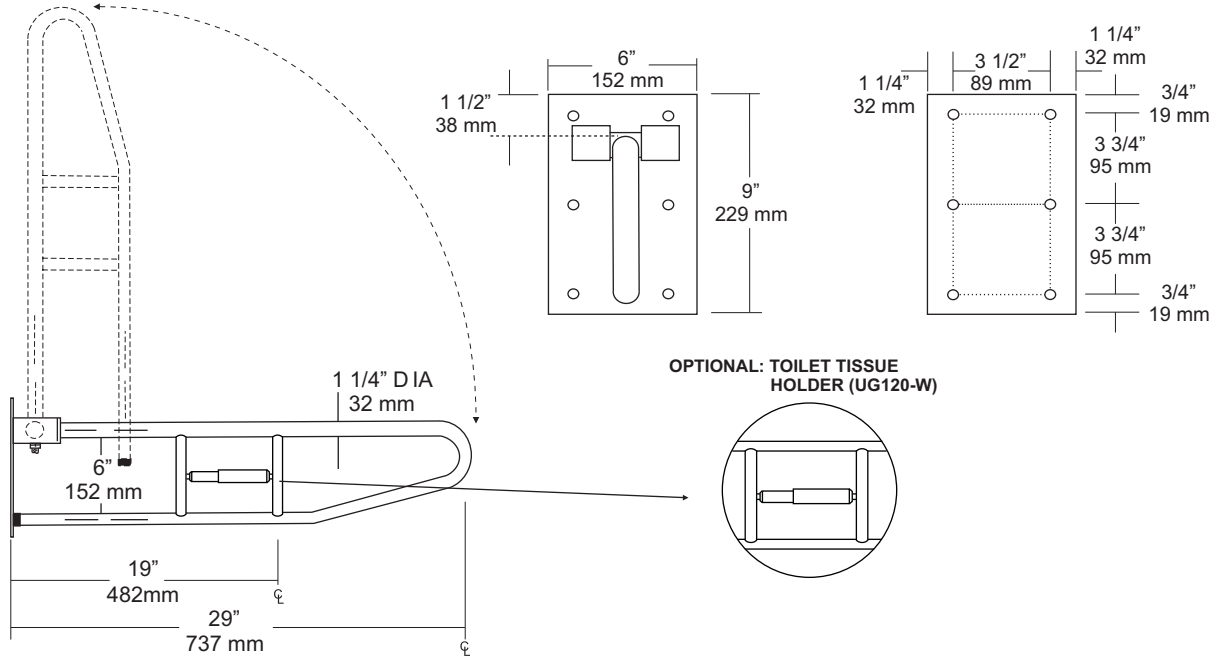
Revision 12/13

JOB #:

ITEM #:

QUANTITY:

MOUNTING	HANDING	TYPE	SIZE	OTHER



## SPECIFICATIONS      INSTALLATION

**Mounting Plate:** Fabricated of #11 ga stainless steel, #4 satin finish with 6, 1/4" dia exposed mounting points.

**Bar:** #18 ga, 1 1/4" diameter, stainless steel with a #4 satin finish. All bends formed by an automatic mandrel bending process which maintains a uniform bar diameter around bends.

**Gripping Surface:** Standard surface is satin finish. Use suffix X for peened grip. (Anti-slip)

**Intermediate Supports:** Same material as bar with contour cuts that are heliarc welded. Intermediate supports designed to accommodate optional toilet tissue holder.

**Pivot Brackets:** Dual supports fabricated of #18 ga square stainless steel tube with capped ends.

**Tension Control Mechanism:** An adjustable clutch to control the amount of tension on the bar required to raise and lower the bar. This prevents bar from falling when in the up-right position.

**Check all state and local building codes for proper mounting heights and locations. ADA code specifies 33"-36" above finished floor for maximum mounting height.**

**When properly mounted, swing-up type bar will sustain a static load of 250 lbs.**

**Finish:**  
-PC: White Powder Coat

**Installation:** Coordinate installation with architect and contractor to avoid interference with toilet, stall doors, etc. Place unit on wall surface making sure unit is level, transfer mounting points and drill pilot holes. Secure unit with proper fasteners per application.

**NOTE:** When possible is recommended to use BP-30 in wall back plates when mounting swing-up grab bars. Under the square tube is an adjustment pin that will control the tension on the raising and lowering of the bar. Adjust to proper tension and test the path of the bar.

## NOTES

Formerly Model #: UG120-U-M