



UC72

"Hide-A-Roll" Toilet Tissue Dispenser

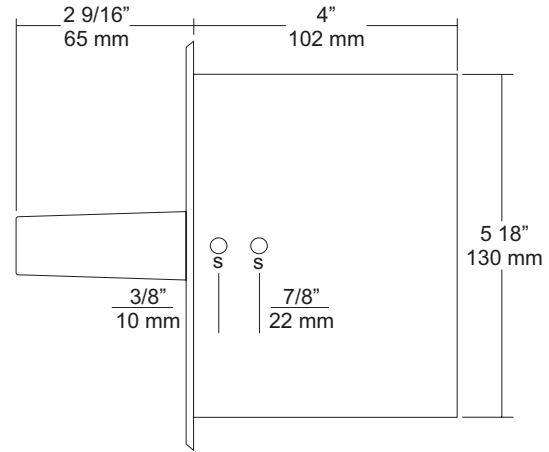
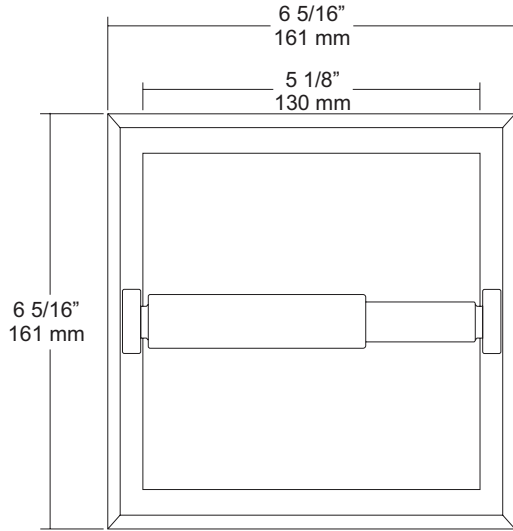
Revision 03/11

JOB #:

ITEM #:

QUANTITY:

MOUNTING	HANDING	TYPE	SIZE	OTHER



SPECIFICATIONS

- Body:** Fabricated of heavy gauge grey coated galvanized steel.
- Flange:** Fabricated of #22 gauge bright chrome plated steel, drawn one piece construction with beveled edges.
- Posts:** Fabricated of die cast Zamac with high luster, nickel and chrome finish.
- Spindles:** High impact ABS material with heavy duty internal spring.
- Optional U007 Theft Resistant Adapter:** Prevents spindle from being removed until roll has been depleted.
- Overall Size:** 6 5/16"W x 6 5/16"H x 6 9/16"D
160mm x 160mm x 167mm
- Wall Opening:** 5 3/8"W x 5 3/8"H x 4"D
137mm x 137mm x 102mm
- Capacity:** One standard roll 5 1/4" OD with one spare roll.

INSTALLATION

Coordinate installation with architect and contractor to avoid interference with pipes, vents, etc. Provide a rough wall opening 5 3/8"W x 5 3/8"H x 4"D. Remove spindle from post and insert in rough wall opening. Making sure unit is level secure with proper fasteners per each application. Place spare roll into cabinet before installing roller with toilet tissue roll to be used.

Toilet Paper Dispensers: All dispensers that are to meet ADA code cannot have any type of controlled delivery. (4.16)

NOTES