



**UC30**  
Towel Ring

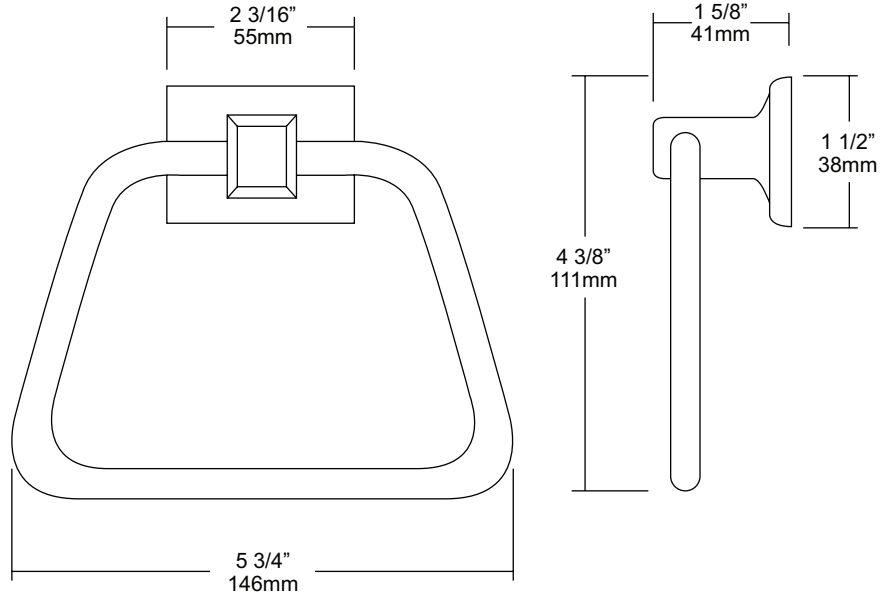
Revision 03/11

JOB #:

ITEM #:

QUANTITY:

| MOUNTING | HANDING | TYPE | SIZE | OTHER |
|----------|---------|------|------|-------|
|          |         |      |      |       |



**SPECIFICATIONS**

**UC Accessories:** All accessories are fabricated of high polished chrome plating over virgin zinc die cast. All UC items comply with standard federal specifications.

**Overall Size:**  $5 \frac{3}{4}$ "W x  $4 \frac{3}{8}$ "H x  $1 \frac{5}{8}$ "D

**146mm x 110mm x 43mm**

**INSTALLATION**

Place concealed mounting bracket on wall surface at desired location. Transfer mounting points and drill pilot holes. Secure plate with proper fasteners per application. Place item over plate making sure it fits snugly and secure on the underside with supplied set screw.

**NOTES**