



U987

Child Protection Station

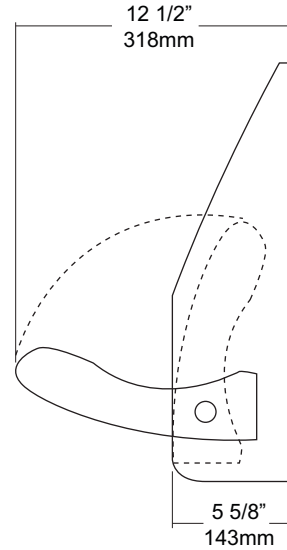
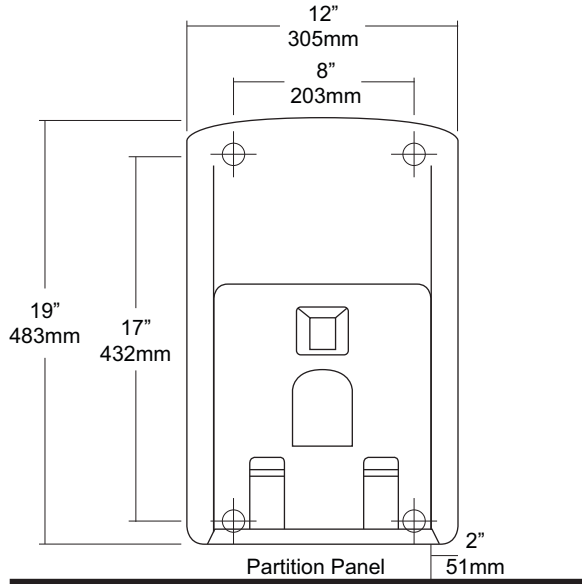
Revision 10/14

JOB #:

ITEM #:

QUANTITY:

MOUNTING	HANDING	TYPE	SIZE	OTHER



Mount 2" (51mm) from bottom of door
or 14" (356mm) from floor

SPECIFICATIONS

Body: Fabricated of blow molded high density polyethylene without any sharp edges or corners to cause injury. Material is odor resistant and easy to clean that resists fungal and bacterial growth. Stainless steel hinge rod for maximum support. Back of seat is concave that tilts child back for a secure fit.

Straps: Safety straps extend over the shoulders and between legs for added security.

Overall Size: 12"W x 19"H x 12 1/2"D (when open)

305mm x 483mm x 318mm

Colors Available: Cream, Grey

INSTALLATION

Coordinate installation with contractor and or architect to avoid interference with pipes, vents, etc in wall. If unit is being installed on a bathroom stall, make sure of the proper length of fasteners are being used so not to break thru other side of stall. Hold unit up to mounting surface at desired location. Making sure unit is level transfer mounting point locations. Pre-drill mounting points (4) in surface and secure with proper fasteners. Test seat for proper operation. (Seating area will lower and raise without binding)

Seat can support up to 50lbs when properly installed

Unit should be cleaned once or more daily with a clean nylon brush and spray disinfectant.

When properly installed, baby changing stations comply with ASTM static load performance requirements.

NOTES

Formerly Model #: U946