

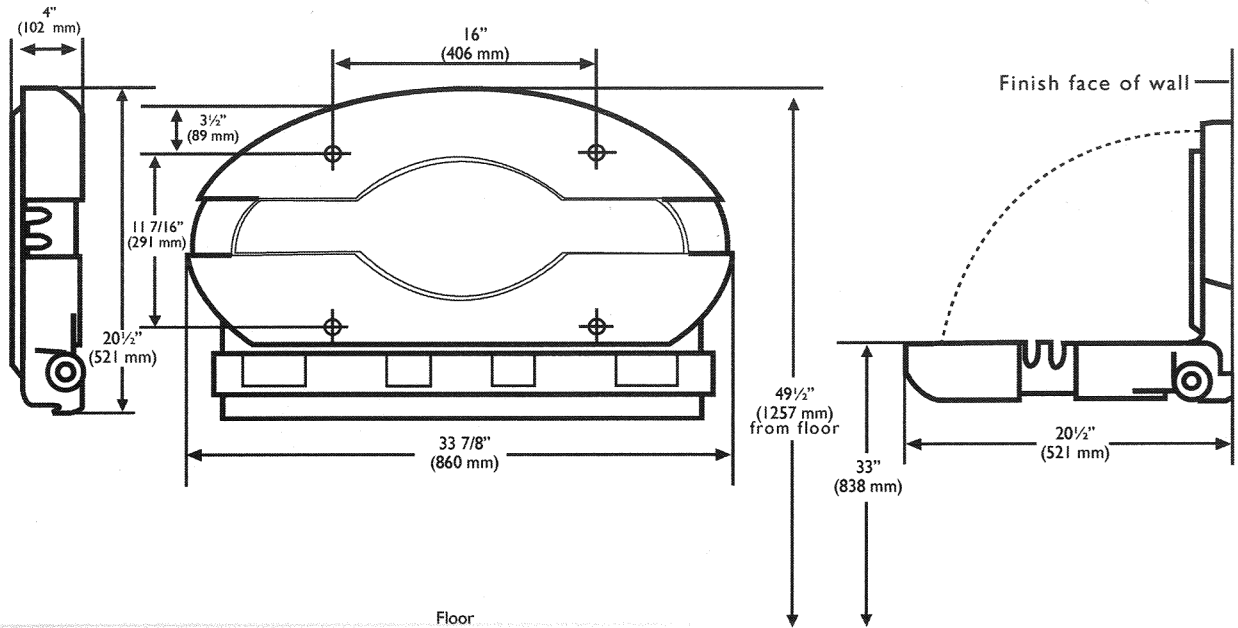
## U981 (U945-OVH) OVAL HORIZONTAL CHANGING STATION SURFACE MOUNTED

Job #:

Item #:

Quantity:

MOUNTING	HANDING	TYPE	SIZE	OTHER



### SPECIFICATIONS

**Body:** Fabricated of high impact ABS polyethylene with radius leading edges that prevent injury. Material is odor resistant and easy to clean and available in cream or grey. Base is concave formed to allow safe and easy changing. Molded graphics and brail comply with ADA code.

**Liner Dispenser:** An integral part of body that is standard with each unit.

**Gas Shocks:** Concealed gas spring actuators ensure a safe and smooth open and close motion.

**Safety Straps:** Snap lock fasteners to hold child securely in place.

**U981:** Horizontal Changing Station

**Overall Size:** 33"W x 20 1/2"H x 4"D (closed)

**860mm x 521mm x 102mm**

**20 1/2"D (open) 521mm**

**\*Maintain a static load of 400 lbs.**

**Verify Color Required:**

Granite \_\_\_\_\_

Grey \_\_\_\_\_

### INSTALLATION

Coordinate installation with architect or contractor to avoid interference with surrounding objects. Hold unit up to wall and open to verify there are no obstructions to interfere with operation of station. Transfer mounting point locations to wall surface and drill pilot holes. Secure unit with proper fasteners for each application. (Recommend a qualified carpenter to install unit) Unit can be lowered with one hand and into position with less than 5 lbs of force, without turning or twisting of wrist. Verify with local codes and type approach (forward or side) for proper mounting height above finished floor.

### NOTES