



# U962 Bed Pan Rack

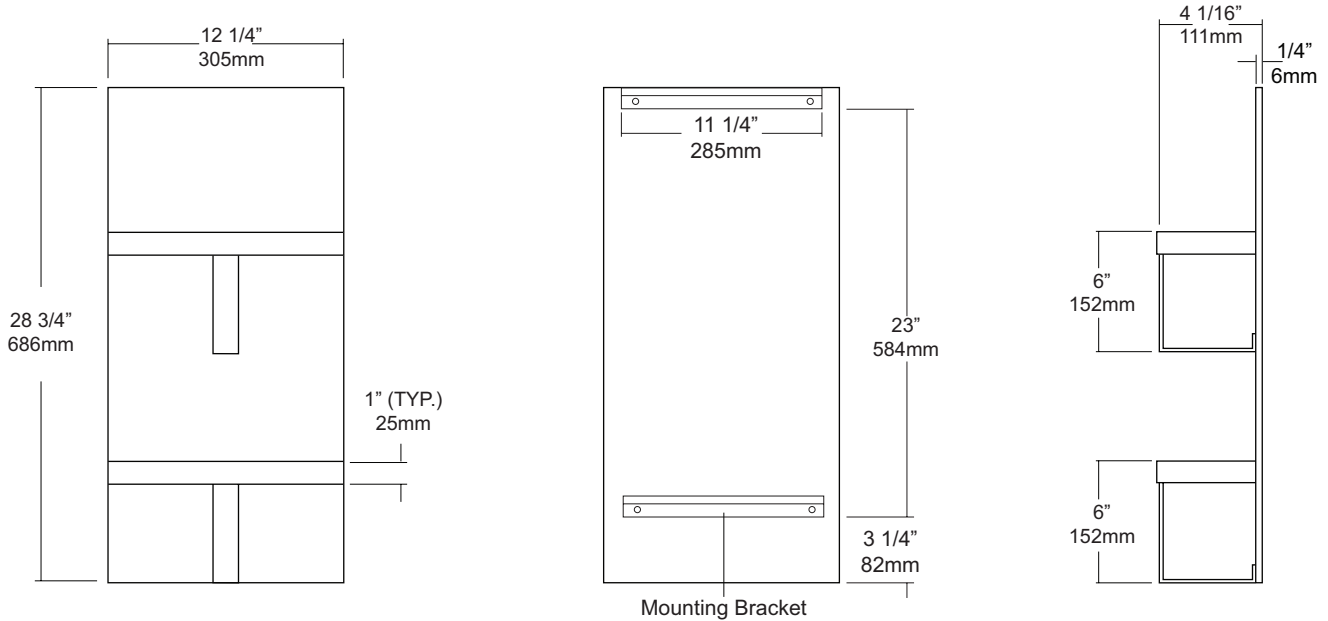
Revision 03/11

JOB #:

ITEM #:

QUANTITY:

MOUNTING	HANDING	TYPE	SIZE	OTHER



## SPECIFICATIONS

- Back Plate:** Fabricated of #18 ga. stainless steel with a #4 satin finish.
- Holding Straps:** Fabricated of #16 ga. stainless steel and finished to match rest of unit.
- Hangers:** Fabricated of #22 ga. stainless steel.
- Overall Size:** 12 1/4"W x 28 3/4"H x 4 9/16"D  
305mm x 730mm x 103mm
- Capacity:** Two (2) standard bedpans

## INSTALLATION

Place rack on wall surface making sure unit is level, transfer mounting point locations. Drill pilot holes and secure with proper fasteners per each application. (Fasteners not included)

## NOTES