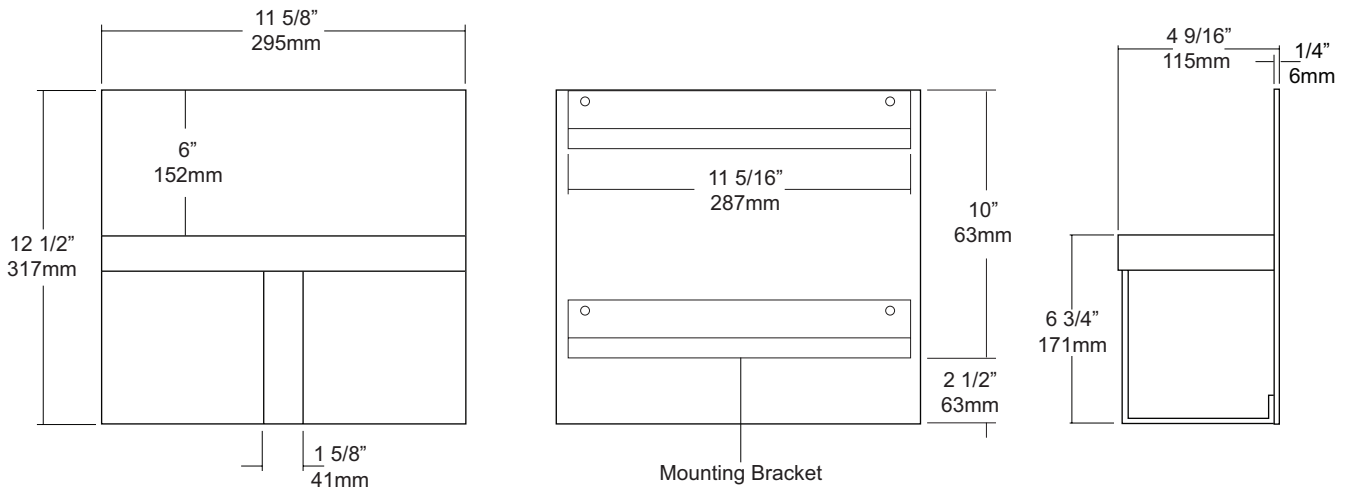


JOB #:

ITEM #:

QUANTITY:

Mounting	Hanging	Type	Size	Other



### SPECIFICATIONS

**Back Plate:** Fabricated of #18 ga. stainless steel with a #4 satin finish.  
**Holding Straps:** Fabricated of #16 ga. stainless steel and finished to match rest of unit.  
**Hangers:** Fabricated of #22 ga. stainless steel.  
**Overall Size:** 11 5/8"W x 12 1/2"H x 4 9/16"D  
**305mm x 279mm x 103mm**  
**Capacity:** One (1) standard bedpan

### INSTALLATION

Place rack on wall surface making sure unit is level, transfer mounting point locations. Drill pilot holes and secure with proper fasteners per each application. (Fasteners not included)

### NOTES