



# U936 Retractable Tub Seat

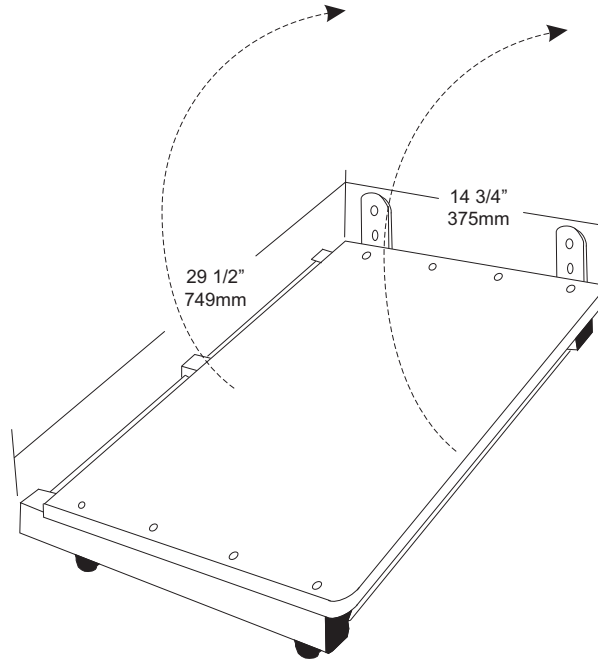
Revision 10/14

JOB #:

ITEM #:

QUANTITY:

MOUNTING	HANDING	TYPE	SIZE	OTHER



### SPECIFICATIONS

**Seat:** Fabricated of 3/4" solid one piece, white HDP (High Density Plastic) with radius leading edges to prevent injury. Secured to frame by means of 1/4" stainless steel rivets. Seat material is warp / water resistant and will not support bacteria or fungi. There are no chemicals that may irritate human skin.

**Frame:** Fabricated of #18 gauge 1 1/4" stainless steel square tubing, #4 satin finish with capped ends. No exposed fasteners. 1" diameter stainless steel tubing (same material) cross tubing provides added strength and rigidity.

**Mounting Supports:** Square tubing (#18 ga) along with #11 gauge vertical mounting plated with exposed mounting points.

**Anti Slip Supports:** Frame is equipped with anti slip/ anti scratching devices.

**Overall Size:** 29 1/2"W x 14 3/4"D

**749mm x 375mm**

**Seating Area:** 28 1/2"W x 12 7/8"D

**724mm x 327mm**

### INSTALLATION

Place tub seat on rim of tub. Make sure seat is square with corner of the tub area. Transfer mounting points to wall surface. Drill pilot holes for mounting. Secure tub seat with proper fasteners per application. When ever possible use concealed in wall backing (BP10 plates) added support.

When seat is not in use in the upright position, seat will pass the 90 degree point and rest against wall. When mounted properly space between seat and wall will be no greater than 1 1/2".

### NOTES