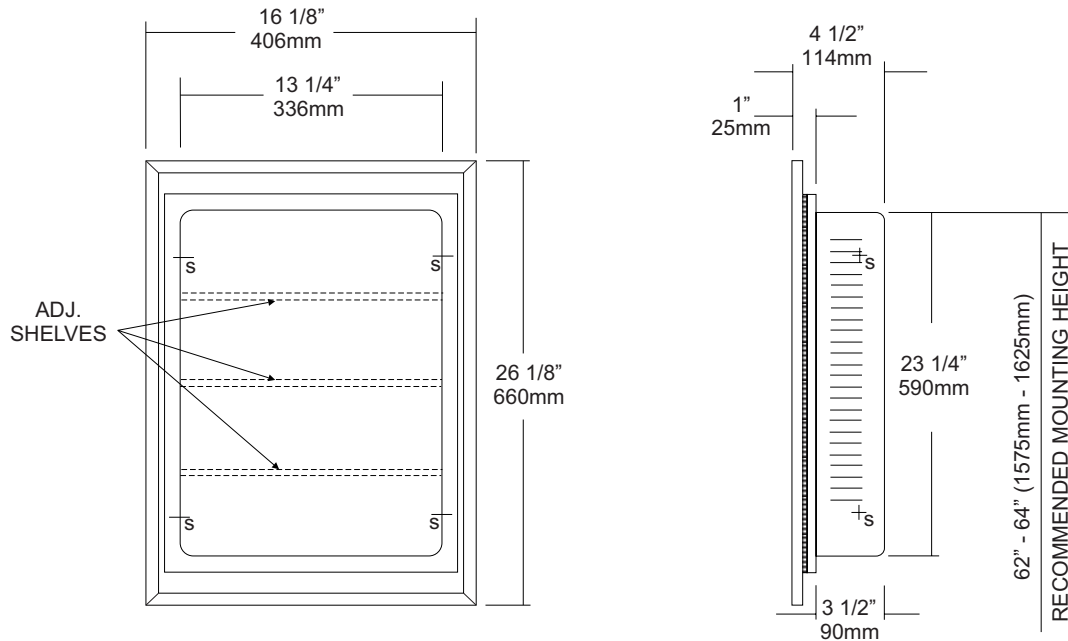


JOB #:

ITEM #:

QUANTITY:

MOUNTING	HANDING	TYPE	SIZE	OTHER



SPECIFICATIONS

Body: Fabricated of one piece deep drawn steel construction, oven baked enamel finish. Integral louvers to accommodate adjustable shelves.

Mirror Door: Float plate glass, silver coated and sealed electrolytic cooper plating. Door is secured by means of a magnetic catch.

Frame: Bright stainless steel finish.

Hinges: Heavy duty piano type hinges.

Shelving: Steel construction to match cabinet body with all edges deburred to prevent injury.

Overall Size: 16"W x 26"H x 4 5/8"D

406mm x 660mm x 114mm

Wall Opening: 14"W x 24"H x 3 3/4"D

356mm x 610mm x 95mm

Shelving: 3 adjustable

INSTALLATION

Coordinate installation with architect and or contractor. Provide wall opening 14"W x 24"H x 3 3/4"D that will allow cabinet to swing left or right without interference. Place cabinet in wall opening and secure with proper fasteners per application. Place unit on wall surface and make sure unit is level. Transfer mounting points and drill pilot holes. Secure unit to surface using proper fasteners per application.

To meet ADA code, a usable shelf on cabinet cannot be any higher than 44" (1120mm) above the finished floor. (4.2.4)

NOTES