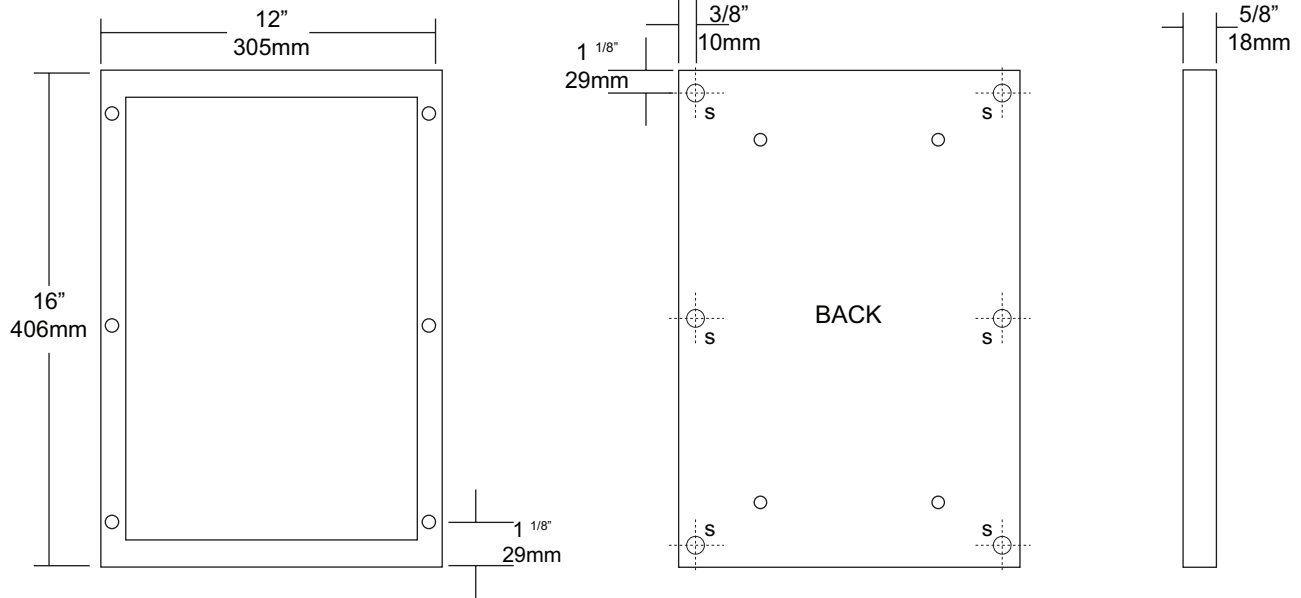


**US7138B**  
 SECURITY MIRROR

Job #:

Item #:

Quantity:



**Frame:** Fabricated of type 304 #14 gauge stainless steel with a #4 satin finish, (1 1/4" x 5/8") Welded construction with polished edges without miters, Frame is equipped with exposed mounting points.

**Mirror:** Type 430 bright polished stainless steel.

**Back:** One piece stainless steel back,

**US7011S:** Security Exposed Mounted Angle Frame Mirror.

**Overall Size:** 12"W x 16"H 305mm x 405mm

**US7011T:** Same as US7011S with Tempered Glass in lieu of reflective stainless steel.

**Overall Size:** 12"W x 16"H

**305mm x 405mm**

**Standard size is 12"W x 16"H. Other sizes are available on request.**

**Unit:** Size (W x H) Qty

**US7011P:** Same as US7011S with "Plastic "Acrylic" in lieu of stainless steel.

**Coordinate mirror installation with architect and contractor to avoid pipes, vents, wires, etc.. in wall. Transfer mounting points to wall surface. Transfer mounting point location to wall surface and drill pilot holes. Secure mirror with proper fasteners per application. Fasteners are not supplied by manufacturer.**

**NOTES**