



U674

Vanity Mounted Towel & Waste Door

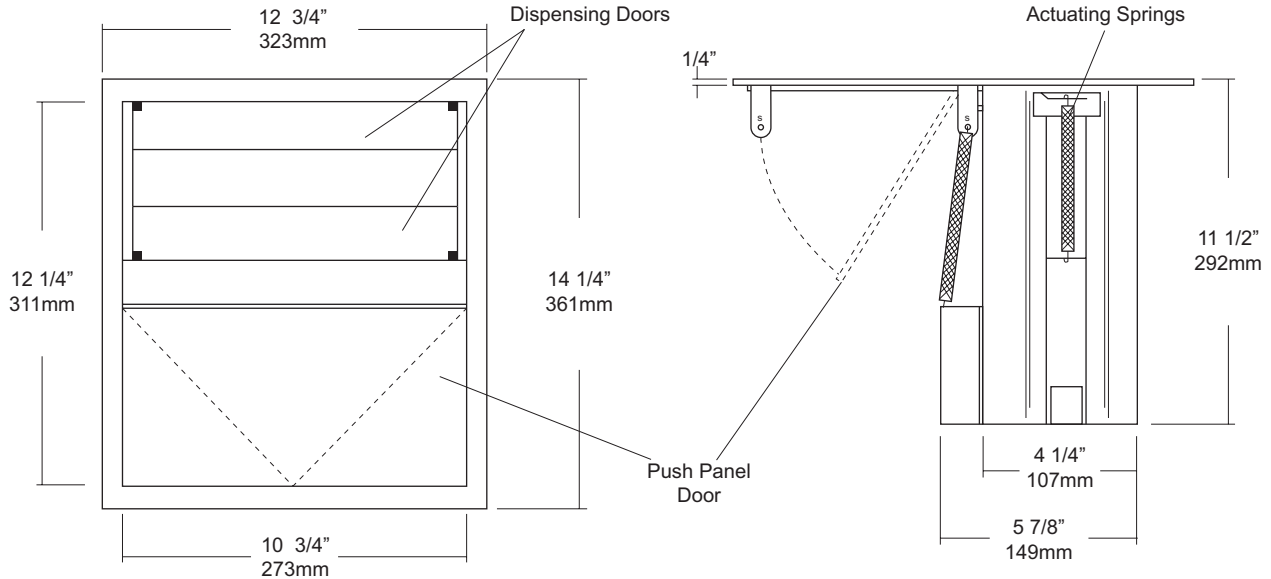
Revision 03/11

JOB #:

ITEM #:

QUANTITY:

MOUNTING	HANDING	TYPE	SIZE	OTHER



SPECIFICATIONS

Mechanism Guide / Body: Fabricated of #22 gauge stainless steel that controls paper dispensing by means of 2 spring loaded dispensing doors and actuating springs.

Door: Assembly is fabricated of #22 gauge stainless steel with a #4 satin finish on all exposed surfaces. Push panel door will return to closed position by means of a return spring loaded mechanism.

Flange: Fabricated of #22 gauge stainless steel with a #4 satin finish with 1/4" returns.

Overall Size: 12 3/4"W x 14 1/4"L x 11 1/2"D
323mm x 361mm x 292mm

Counter Top Opening: 11"W x 12 1/2"L
279mm x 318mm

Capacity: 300 c-fold or 400 multifold towels

Note: Waste receptacle must be purchased separately.

INSTALLATION

Coordinate installation with architect and contractor before providing a cut out in vanity to avoid interference with pipes. Provide cut out 11"W x 12 1/2"L. Install unit in opening and secure at four (4) points with proper fasteners (fasteners not provided). Load paper towels into unit by pushing down into unit through the flap doors and test dispensing of towels.

Waste receptacle must be ordered as a separate unit.

NOTES

Formerly Model #: U974