



U673AW

Roll Towel & Waste Combination Unit

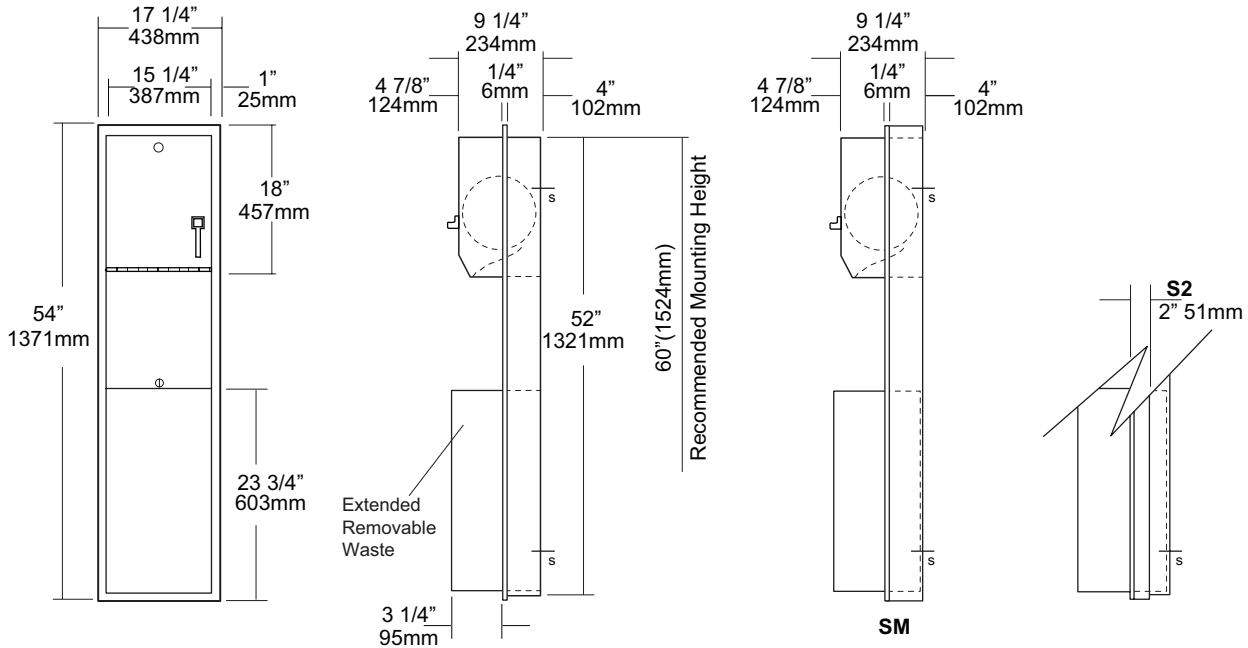
Revision 12/11

JOB #:

ITEM #:

QUANTITY:

MOUNTING	HANDING	TYPE	SIZE	OTHER
----------	---------	------	------	-------



SPECIFICATIONS

- Body:** Fabricated of Fabricated of #22 ga stainless steel with a #4 satin finish.
- Flange:** Fabricated of #22 ga stainless steel finished to match cabinet with 1/4" returns. (No miters or welds)
- Cabinet Back:** Fabricated of stainless steel formed for rigidity.
- Cabinet Door:** Fabricated of #22 ga stainless steel with #4 satin finish, with full length door stop to reduce vandalism
- Towel Mechanism:** Lever operated mechanism that requires less than 5 lbs of force to operate.
- Removable Ext. Waste Capacity:** #22 ga stainless steel #4 satin finish with all leading edges to have a radius.
- Hinge:** Full length, heavy duty, stainless steel piano type hinge.
- Collars:** Fabricated of #22 ga stainless steel, #4 satin
- Overall Size:** 14 1/4"W x 54"H x 10 5/8"D
362mm x 1372mm 260mm
- Wall Opening:** 12 3/4"W x 52 1/2"H x 4"D
324mm x 1334mm x 232mm
- U673AW-S2:** 2" semi-recessed. collar, 2" wall opening, 51 mm
- U673AW-SM:** Full surface mounted collar.
- Waste Capacity:** 12 gallons (1.60 cu ft)
- Towel Capacity:** One standard roll up to 8" wide (non-perforated)
- *Recommended 600ft roll for best results.**
- Options :**
-VL 1: Vinyl Liner (12 Gallon)

INSTALLATION

Coordinate installation with architect and contractor to avoid interference with pipes, vents, etc. Provide a rough wall opening 15 3/4"W x 52 1/2"H. Required wall depth, will depend if full or semi-recessing is required. if collar is required, slide collar over the back before installing into wall. Remove waste from cabinet and mount unit plumb and true in opening with proper fasteners per application. Secure waste in cabinet and load paper towels and batteries. Test unit for proper operation. Controls and or mechanisms should operate with one hand and force required to activate controls shall be no greater than 5 lbs. (4.27.4)

NOTES