



U657

Folded Towel & Waste Combination Unit

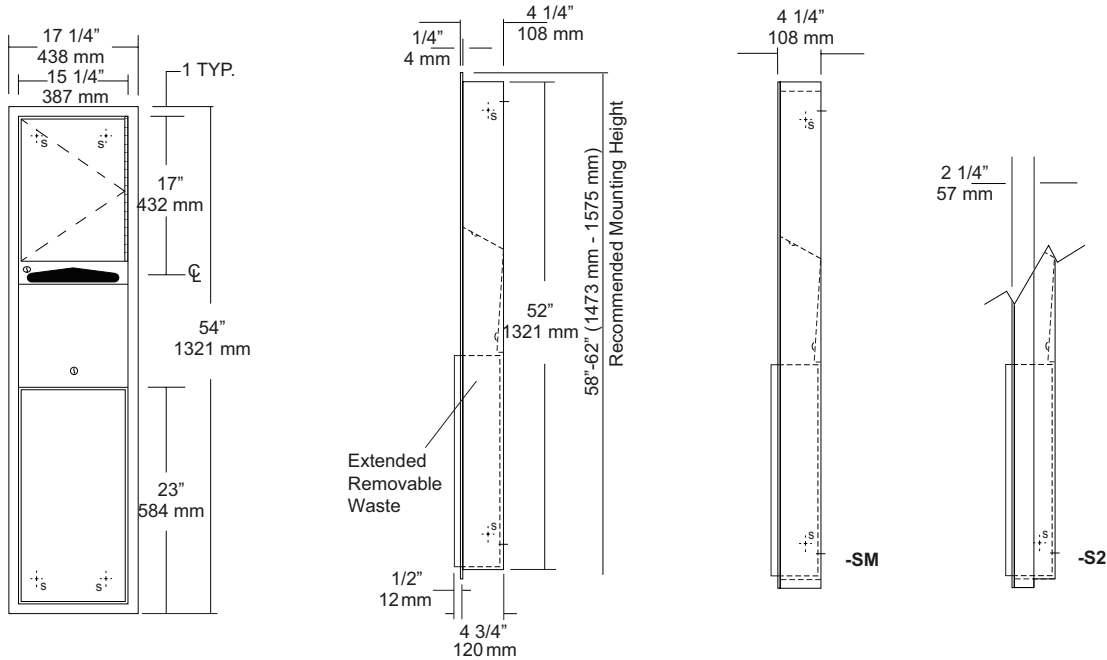
Revision 05/11

JOB #:

ITEM #:

QUANTITY:

MOUNTING	HANDING	TYPE	SIZE	OTHER



SPECIFICATIONS

- Body:** Fabricated of #22 ga stainless steel with a #4 satin finish.
- Flange:** Fabricated of #22 ga stainless steel finished to match cabinet with 1/4" returns, (No miters or welds)
- Cabinet Back:** Fabricated of stainless steel formed for rigidity with multiple welds to cabinet body,
- Cabinet Doors:** Fabricated of #22 ga stainless steel with #4 satin finish, with full length door stop to reduce vandalism
- Waste Capacity:** Fabricated of #22 ga stainless steel with all leading edges hemmed, Unit is equipped with wire handle for easy handling,
- Hinge:** Full length, stainless steel piano type hinge,
- Locks:** Pin tumbler commercial quality lock,
- Collars:** Fabricated of #22 ga stainless steel, finished to match cabinet. (semi-recessed and surface mounted)
- Overall Size:** 17 1/4"W x 54"H x 4 3/4"D
438mm x 1372mm x 108mm
- Wall Opening:** 15 3/4"W x 52 1/2"H x 4"D
400mm x 1334mm
- U657-S2:** 2" semi-recessed, collar, 2" wall opening, 203 mm
- U657-SM:** Full surface mounted collar
- Waste Capacity:** 6 gallons (.8 cu ft)
- Towel Capacity:** 600 c-fold or 800 multi-fold

INSTALLATION

Coordinate installation with architect and contractor to avoid interference with pipes, vents, etc. Provide a rough wall opening 15 3/4"W x 52 1/2"H. See chart for required wall depth. If collar is required, slide collar over the back before installing into wall. Remove waste from cabinet and mount unit plumb and true in opening with proper fasteners per application. Secure waste in cabinet and load paper towels.

When cleaning cabinet use a non abrasive non-chloric solution and wiped off with the grain of the cabinet.

NOTES

Formerly Model #: U650HC