



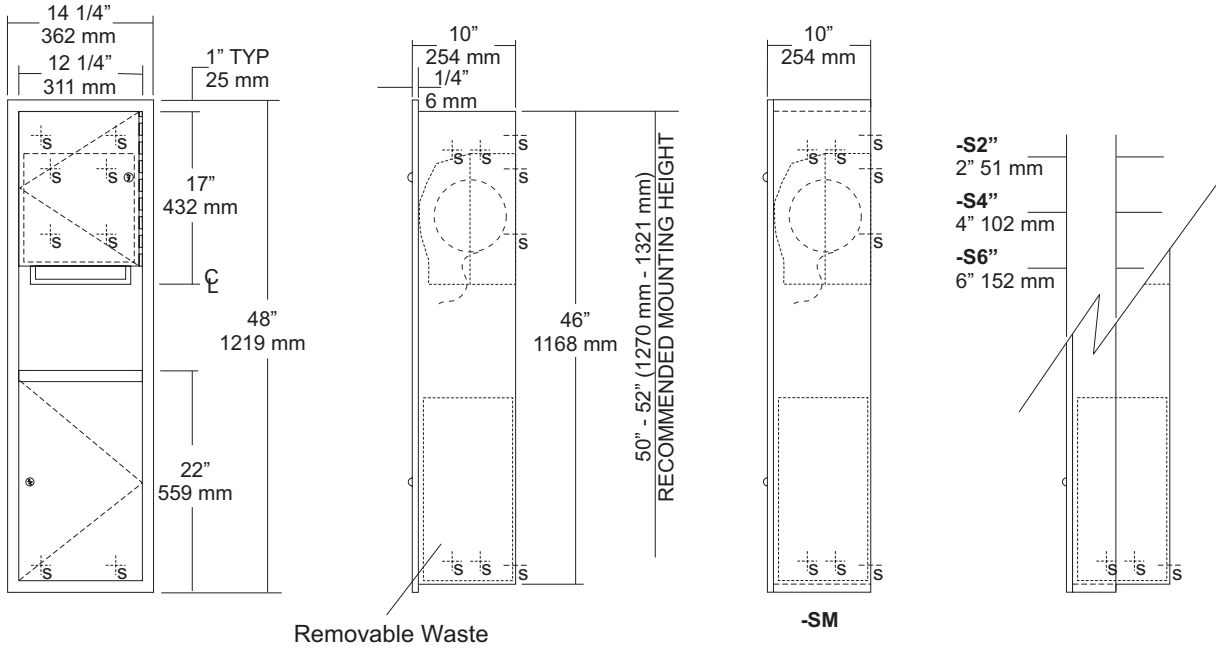
# U646EA

## Roll Towel & Waste Combination Unit

Revision 10/14

|           |
|-----------|
| JOB #:    |
| ITEM #:   |
| QUANTITY: |

| MOUNTING | HANDING | TYPE | SIZE | OTHER |
|----------|---------|------|------|-------|
|          |         |      |      |       |



### SPECIFICATIONS

- Body:** Fabricated of #22 ga stainless steel with a #4 satin finish.
- Flange:** Fabricated of #22 ga stainless steel finished to match cabinet with 1/4" returns, (No miters or welds)
- Cabinet Back:** Fabricated of stainless steel formed for rigidity with multiple welds to cabinet body,
- Cabinet Doors:** Fabricated of #22 ga stainless steel with #4 satin finish, with full length door stop to reduce vandalism
- Automatic Dispenser:** Operated by 4 "D" cell alkaline batteries (not included) that will dispense one standard roll 10" wide with a maximum 7 3/4" OD. Automatic sensor will dispense a re-measured amounts of paper each time and will not dispense paper again until sensor range is cleared and allowed to reset itself.
- Waste:** Fabricated of #22 ga stainless steel with all leading edges hemmed, Unit is equipped with wire handle for easy handling,
- Hinge:** Full length, stainless steel piano type hinge,
- Locks:** Pin tumbler commercial quality lock, keyed like all other AJW cabinets.
- Collars:** Fabricated of #22 ga stainless steel, finished to match cabinet. (semi-recessed and surface mounted)
- Overall Size:** 14 1/4"W x 48"H x 10 1/4"D  
**362mm x 1219mm x 260mm**
- Wall Opening:** 12 3/4"Wx 46 1/2"H x 10"D  
**324mm x 1181mm x 254mm**
- Waste Capacity:** 8.5 gallons (1.16 cu ft)
- Towel Capacity:** One standard size roll of 8" or 9" wide. (Use only non-perforated towels). One stub roll up to 2 3/4" OD
- \*Recommended 600ft roll for best results.**
- Options:**
- VL1: Reusable vinyl liner

### INSTALLATION

Coordinate installation with architect and contractor to avoid interference with pipes, vents, etc. Provide a rough wall opening 12 3/4"W x 46 1/2"H, Required wall depth, will depend if full or semi recessing is required, If collar is required, slide collar over the back before installing into wall, Remove waste from cabinet and mount unit plumb and true in opening with proper fasteners per application. Secure waste in cabinet and load paper towels, Controls and or mechanisms should operate with one hand and force required to activate controls shall be no greater than 5 lbs, (4.27.4)

U646EA-S2: 2" Semi-Rec, collar, 8" wall opening, 203 mm  
 U646EA-S4: 4" Semi-Rec, collar, 6" wall opening, 152 mm  
 U646EA-S6: 6" Semi-Rec, collar, 4" wall opening, 102 mm  
 U646EA-SM: Full surface mounted collar

When cleaning cabinet, use a soft cloth, a non-abrasive or chloric solutions.

### NOTES

Formerly Model #: U646/199EA