



U6024

Uni-Door Folded Towel & Waste
Combination Unit

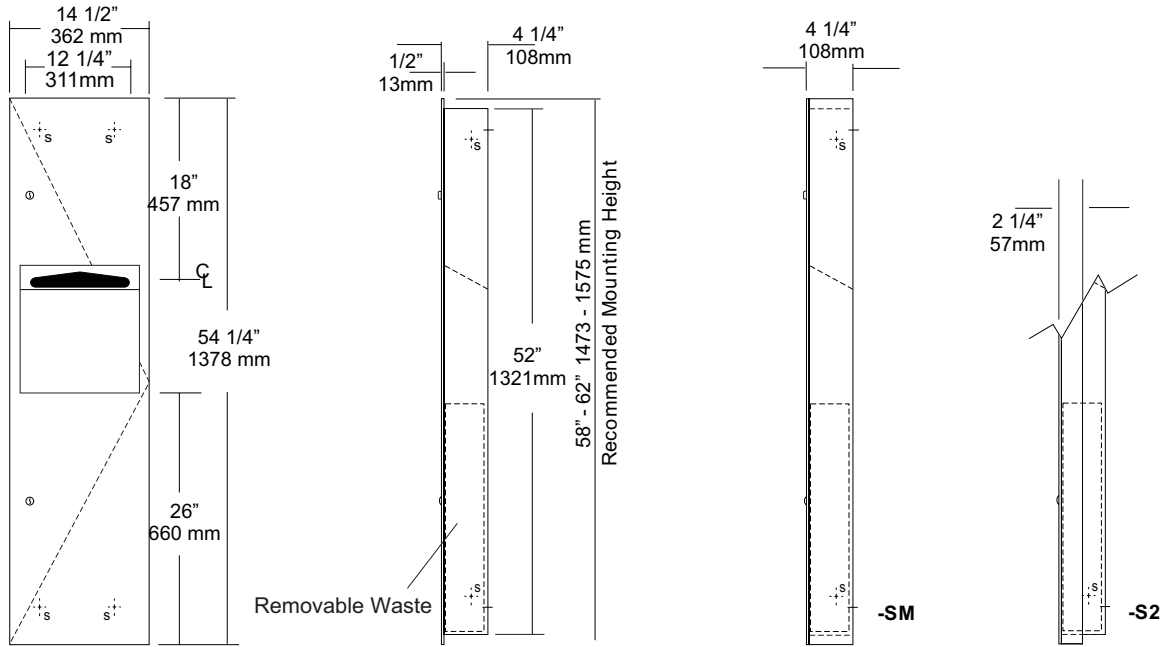
Revision 03/11

JOB #:

ITEM #:

QUANTITY:

MOUNTING	HANDING	TYPE	SIZE	OTHER



SPECIFICATIONS

Body: Fabricated of #22 ga stainless steel with a #4 satin finish.

Flange: Fabricated of #22 ga stainless steel with #4 satin finish and 1/4" returns to wall, no miters or welds.

Cabinet Back: Fabricated of stainless steel formed for rigidity with multiple welds to cabinet body.

Uni-Door: Fabricated of #18 ga stainless steel with #4 satin finish, one piece door with 1/2" returns.

Towel Dispenser: Dispensing area has hemmed edges to prevent injury and towel tearing.

Removable Waste: Removable waste, with heavy duty handle for easy removal.

Hinges: Heavy duty, full length, stainless steel piano type hinge.

Lock: Pin tumbler commercial quality keyed like all other AJW cabinets.

Collars: Fabricated of #22 ga #4 satin finish stainless steel finished to match cabinet body.

Overall Size: 14 1/2" W x 54 1/4"H x 4 1/4"D
368mm x 1378mm x 108mm

Wall Opening: 12 3/4"W x 52 1/2"H x 4"D
324mm x 1334mm x 102mm

U6024-S2: semi-recessed with 2" collar. (2" wall opening 51mm)

U6024-SM: Surface mounted with full skirt.

Towel Capacity: 600 c-fold or 800 multifold

Waste Capacity: 4 gallons (.53 cu ft)

INSTALLATION

Coordinate installation with contractor and architect to avoid interference with pipes vents etc. Provide a rough wall opening 12 3/4"W x 52 1/2"H. Wall opening depth will depend on style mounting. If a collar is required, slip over back of unit. Remove waste & install unit in opening. Make sure cabinet will sit flush in wall and secure with proper fasteners per application. Install waste back into cabinet and load paper towels.

When cleaning cabinet, use a soft cloth, a non-abrasive or chloric solutions.

NOTES