



U592
Sanitary Napkin Disposal with Access
Panel & Shelf

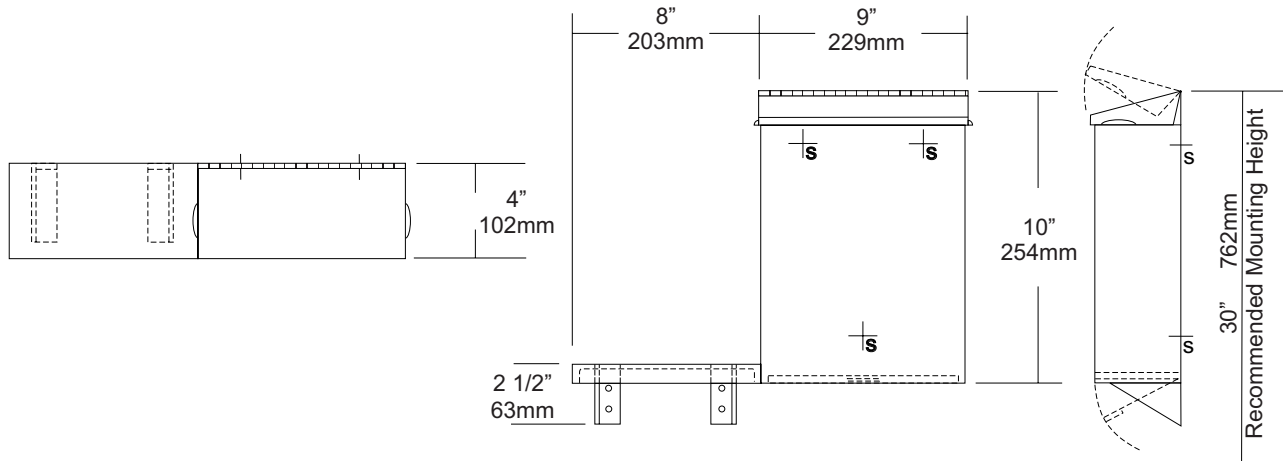
Revision 10/11

JOB #:

ITEM #:

QUANTITY:

MOUNTING	HANDING	TYPE	SIZE	OTHER



SPECIFICATIONS

- Cabinet Body:** Fabricated of #22 ga stainless steel with #4 satin finish. Seamless construction with radius and hemmed edges.
- Cabinet Back:** Fabricated of Stainless steel welded to cabinet body with key hole mounting points.
- Cover:** Fabricated of #22 ga stainless steel #4 satin finish with embossed handles on each side and sloped top.
- Bottom Panel:** #22 ga hinged and locked for removal of contents.
- Hinges:** Heavy duty, full length, stainless steel piano type hinges.
- Lock:** Commercial quality keyed like all other AJW cabinets.
- Overall Size:** 9"W x 10"H x 4"D
- 229mm x 254mm x 102mm**
- Capacity:** 1.6 gallons (.2 cu ft)
- NDL-13-50:** Waxed disposable liners. (50 per Case)

INSTALLATION

Provide an area at desired or specified location. Place unit on surface and transfer mounting points. Drill pilot holes and secure with proper fasteners. Install waxed liner. Follow same installation procedure for shelf. Shelf can be mounted to either side of disposal.

NOTES