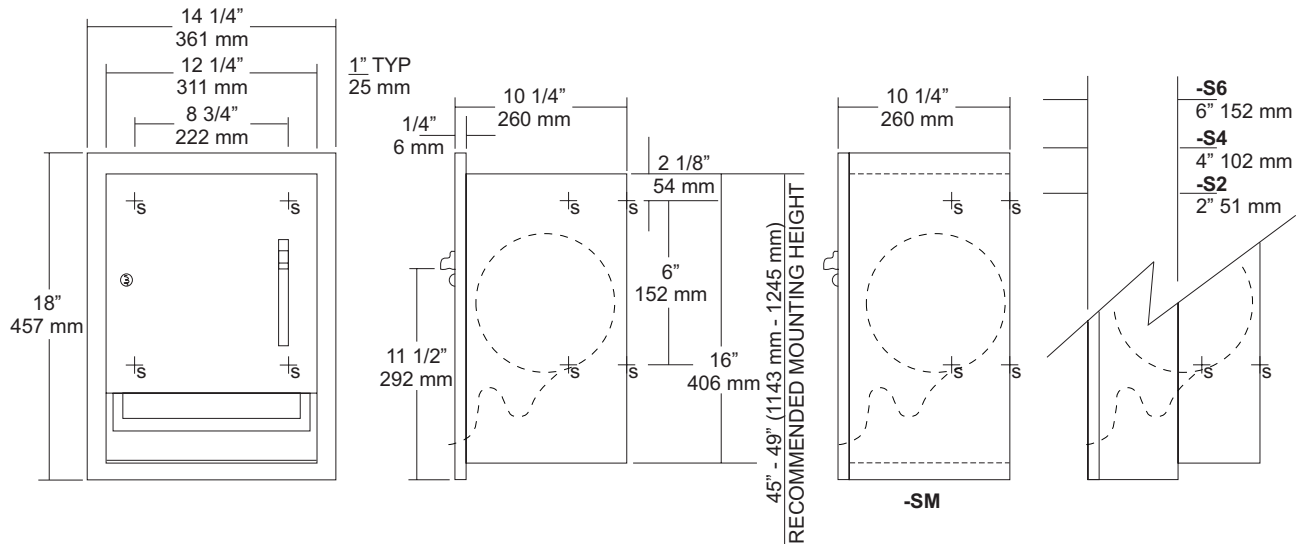


MOUNTING	HANDING	TYPE	SIZE	OTHER



### SPECIFICATIONS

**Cabinet:** Fabricated of #22 ga stainless steel.

**Flange:** Fabricated of #22 gauge stainless steel one piece construction with 1/4" returns for maximum strength. No visible miters or seams.

**Cabinet Back:** #22 gauge stainless steel secured to body with multiple welds.

**Door:** #22 gauge stainless steel secured to cabinet body by means of a full length, heavy duty stainless steel piano type hinge along with a pin tumbler type lock, keyed like all other AJW cabinets.

**Towel Dispenser:** Mechanism is fabricated of high impact plastic and #20 gauge steel has a capacity for one standard roll and one stub roll. Lever can be operated with one hand and less than 5 lbs of force to comply with ADA code. Mechanism has three settings to adjust for desired towel lengths.

**Collars:** #22 gauge stainless steel, one piece construction finished to match cabinet body.

**Overall Size:** 14 1/4"W x 18"H x 10 1/4"D  
**362mm x 457mm x 257mm**

**Wall Opening:** 12 3/4"W x 16 1/2"x 10"D  
**324mm x 419mm x 254mm**

**U236AW-S2:** 2" semi-recessed. Collar w/ 8" (203mm) wall opening.

**U236AW-S4:** 4" semi-recessed. Collar w/ 6" (152mm) wall opening.

**U236AW-S6:** 6" semi-recessed. Collar w/ 4" (102mm) wall opening.

**U236AW-SM:** Surface mounted dispenser.

**Capacity:** One standard size roll up to 8" in diameter and 8" wide. (Use only non-perforated towels). One stub roll up to 2 3/4" OD

**\*600ft roll recommended for best results.**

### INSTALLATION

Coordinate installation with architect and contractor to avoid interference with pipes, vent, etc. in wall. Provide rough wall opening per indicated in specifications in accordance with proper cabinet. Insert unit in opening making sure unit is plumb. Secure cabinet with proper fasteners per application. Follow paper loading instructions inside cabinet. Test dispenser for operation.

Close cabinet door and secure after testing is complete.

### NOTES

Formerly Model #: U236