



# U199CP

Center-Pull Towel Dispenser

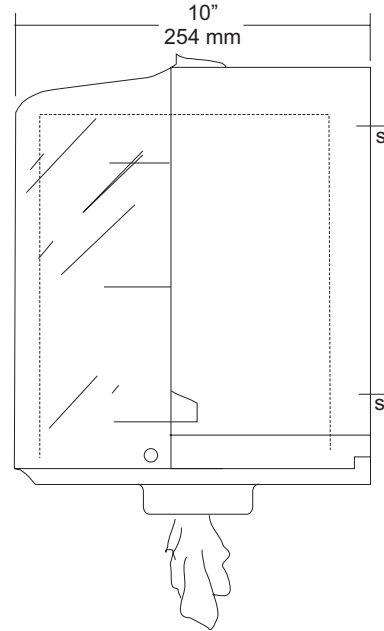
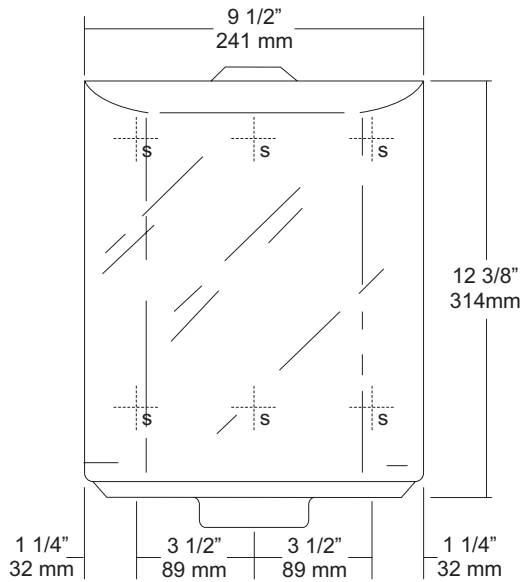
Revision 03/11

JOB #:

ITEM #:

QUANTITY:

MOUNTING	HANDING	TYPE	SIZE	OTHER



### SPECIFICATIONS

**Cabinet Body:** Fabricated of high impact ABS material.  
**Cover:** Translucent ABS material that is corrosion resistant with a rounded design.  
**Lock:** Cover is secured to body by means of a special key.  
**Dispensing area:** Towels are dispensed from bottom without any serrated edges that may cause injury. An adjustable site controls the opening where the paper will be dispensed.  
**Overall Size:** 9 1/2"x 12 3/8"H x 10"D  
**241mm x 314mm x 254mm**  
**Capacity:** One standard center pull roll. For best operation a perforated roll is recommended.

### INSTALLATION

Provide an area at specified or desired location. Open cabinet and hold unit on wall surface. Making sure unit is level transfer mounting point locations to wall surface and drill pilot holes. Secure cabinet with proper fasteners per application. Load paper towels and feed through rollers per instructions on label inside cabinet. Close cabinet and test cabinet for proper towel length and dispensing operation. Controls should be operable with one hand and force required to operate must be less than 5 lbs. (4.27.4)

### NOTES