



U176

Vanity Mounted Towel Dispenser

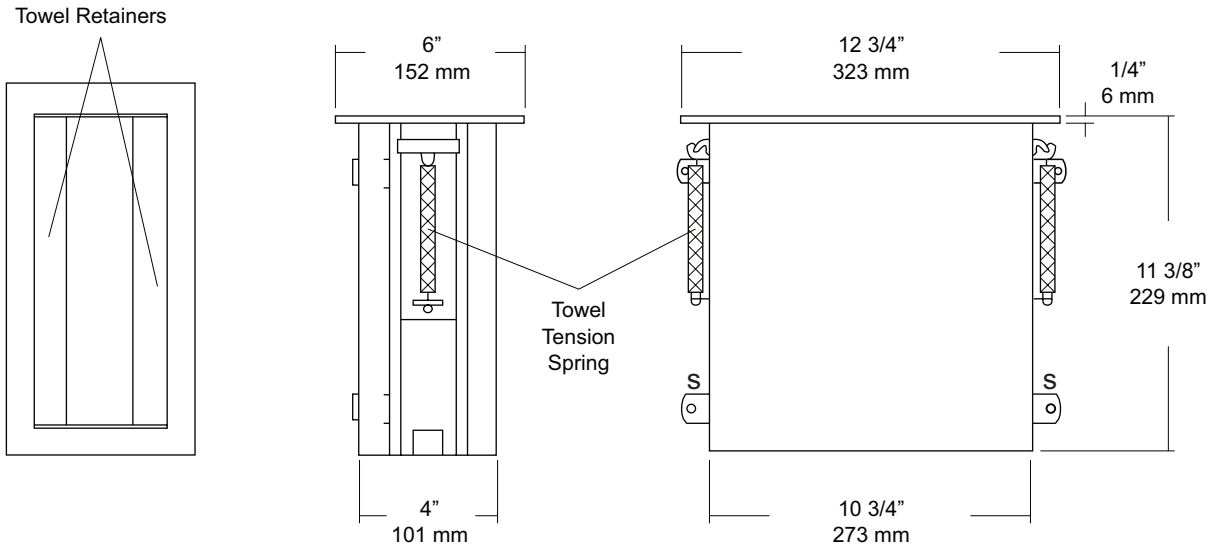
Revision 03/11

JOB #:

ITEM #:

QUANTITY:

MOUNTING	HANDING	TYPE	SIZE	OTHER



SPECIFICATIONS

- Cabinet:** Fabricated of #22 gauge stainless steel with a #4 satin finish on all exposed surfaces.
- Flange:** Fabricated of #22 gauge stainless steel with a #4 satin finish. Returns are 1/4" to countertop for maximum strength.
- Dispenser:** Towel retainers are fabricated of #22 gauge stainless steel. Dispenser is equipped with a spring loaded towel tray
- Capacity:** 300 c-fold or 400 multifold
- Overall Size:** 6"W x 12 3/4"L x 11 3/8"D
- 152mm x 324mm x 289mm**
- Vanity Opening:** 4 1/2"W x 12 1/4"L
- 114mm x 311mm**

INSTALLATION

Provide a countertop opening 4 1/2"W x 12 1/4"L. Bend mounting tabs in, towards the cabinet and insert into countertop opening. Make sure unit is flush with countertop. Bend back tabs and mount unit at points indicated by "S" on drawing. Coordinate installation with architect or contractor to avoid interference with pipes.

NOTES

Formerly Model #: U976