



U169FL-SR

Roll Towel Dispenser

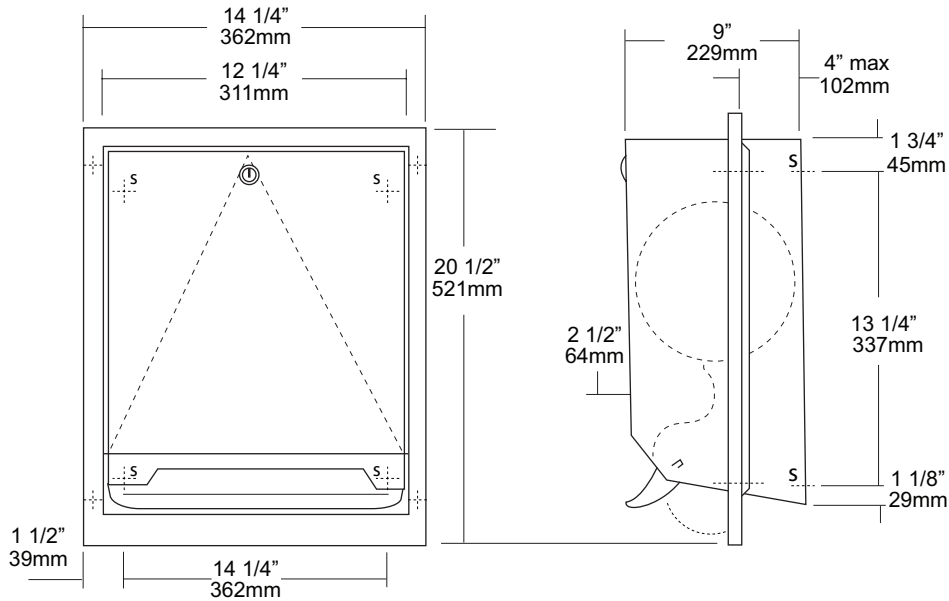
Revision 01/12

JOB #:

ITEM #:

QUANTITY:

MOUNTING	HANDING	TYPE	SIZE	OTHER



SPECIFICATIONS

Cabinet Body: Fabricated of #22 gauge stainless steel with a #4 satin finish.

Cabinet Door: Fabricated of #18 gauge stainless steel with a #4 satin finish. Cabinet door is secured by means of a heavy duty, full length stainless steel piano hinge.

Towel Mechanism: Full width body push bar allows easy operation of mechanism that operates under 5 lbs of force. Push bar can be operated with user's hand, elbow or forearm.

Semi-Recessing Flange: Fabricated of #22 ga stainless steel finished to match cabinet body. Flange is adjustable to semi-recess unit up to. Exposed mounting points are countersunk to secure to wall surface.

Overall Size: 14 1/4"W x 20 1/2"H x 9"D

361mm x 520mm x 229mm

Wall Opening: 12 3/4"W x 16 1/2" H x 4 1/4"D (max)

323mm x 419mm x 107mm

Capacity: One standard size roll of 8" or 9" wide. (Use only non-perforated towels). One stub roll up to 2 3/4" OD

***600ft roll recommended for best results.**

INSTALLATION

Provide an area on mounting surface at desired or specified location. Coordinate installation with architect / contractor. Open cabinet door, place unit against wall making sure unit is level and transfer mounting points. Top of cabinet should be no higher than 48" above finished floor to comply with ADA Code. Secure cabinet to wall surface with proper fasteners for each application. Load towels in cabinet per instruction label.

NOTES